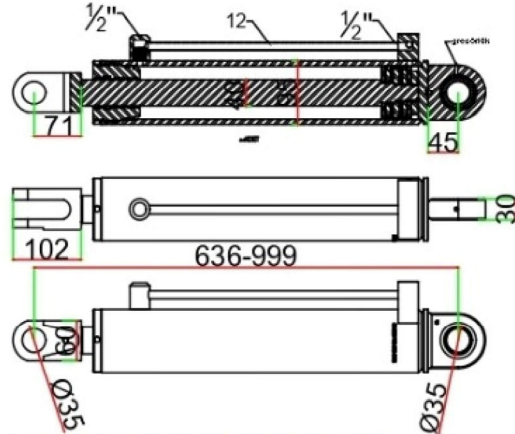


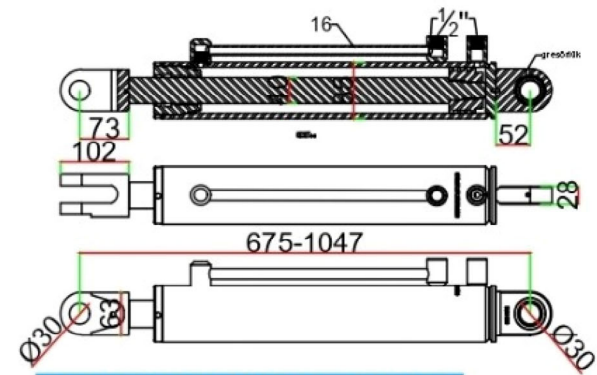
GARBAGE TRUCK BUCKET CYLINDER

Closed center: 579 mm
Open center: 866 mm
Stroke: 287 mm
Push force: 6.2 tons
Pull force: 4 tons
Operating pressure: 200 BAR
Weight: 17 kg *H8-CK45



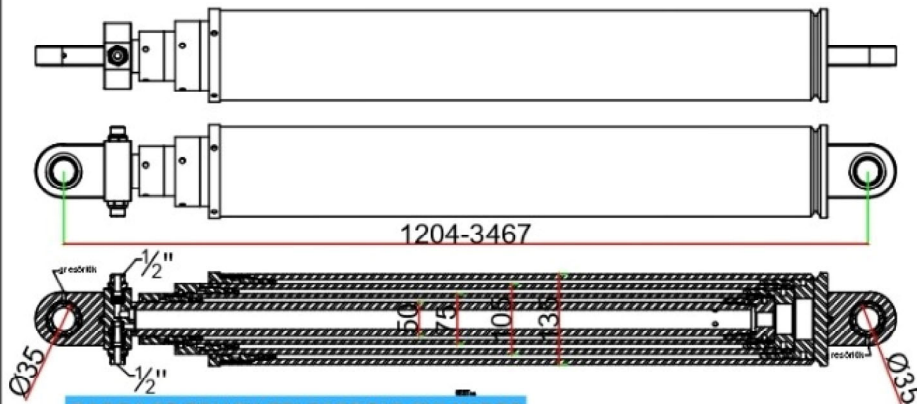
GARBAGE TRUCK LIFT CYLINDER

Closed center: 636 mm
Open center: 999 mm
Stroke: 363 mm
Push force: 2.6 tons
Pull force: 2 tons
Operating pressure: 200 BAR
Weight: 21 kg *H8-CK45



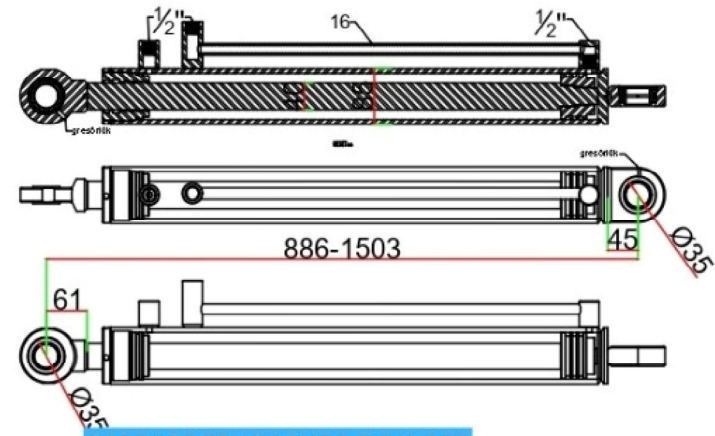
GARBAGE TRUCK CONTAINER CYLINDER

Closed center: 675 mm
Open center: 1047 mm
Stroke: 372 mm
Push force: 5.5 tons
Pull force: 3.7 tons
Operating pressure: 200 BAR
Weight: 18 kg *H8-CK45



GARBAGE TRUCK TELESCOPIC CYLINDER

CLOSED CENTER: 1204 mm
OPEN CENTER: 3467 mm S
TROKE: 2263 mm
PUSH FORCE: 16.2 Tons
PULL FORCE: 5.4 Tons
OPERATING PRESSURE: 200 BAR
WEIGHT: 73 KG *H8-F7



GARBAGE TRUCK SLIDE CYLINDER

Closed center: 886 mm
Open center: 1503 mm
Stroke: 617 mm
Push force: 7.8 tons
Pull force: 5.2 tons
Operating pressure: 200 BAR
Weight: 24 kg *H8-CK45