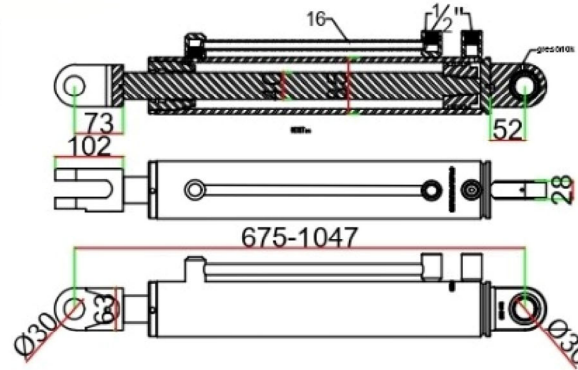


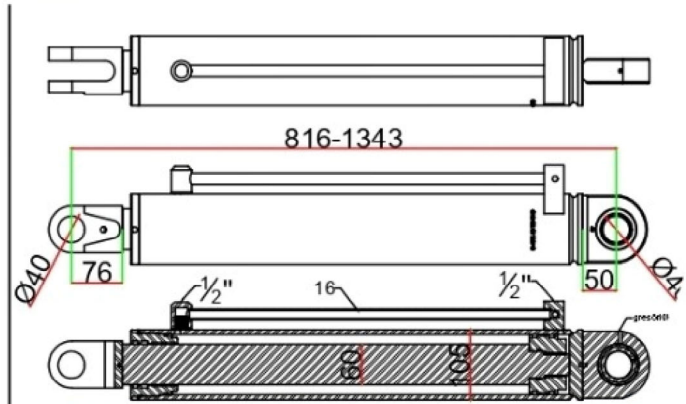
GARBAGE TRUCK 1.5M3 BUCKET CYLINDER:

CLOSED CENTER: 644 mm
OPEN CENTER: 1008 mm
STROKE: 364 mm
PUSH FORCE: 10.1 Tons
PULL FORCE: 5.6 Tons
OPERATING PRESSURE: 200 BAR
WEIGHT: 28 KG *H8-CK45



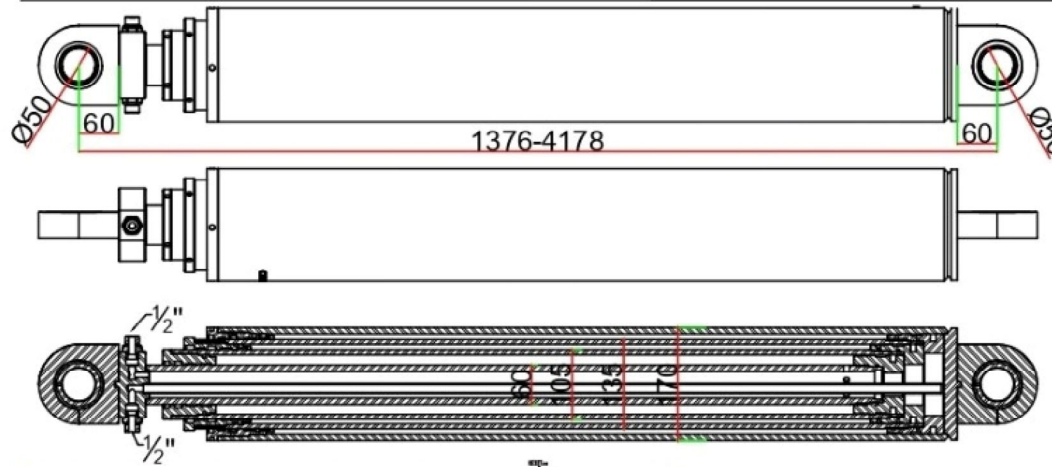
GARBAGE TRUCK CONTAINER CYLINDER

CLOSED CENTER: 675 mm
OPEN CENTER: 1047 mm
STROKE: 372 mm
PUSH FORCE: 5.5 Tons
PULL FORCE: 3.7 Tons
OPERATING PRESSURE: 200 BAR
WEIGHT: 18 KG *H8-CK45



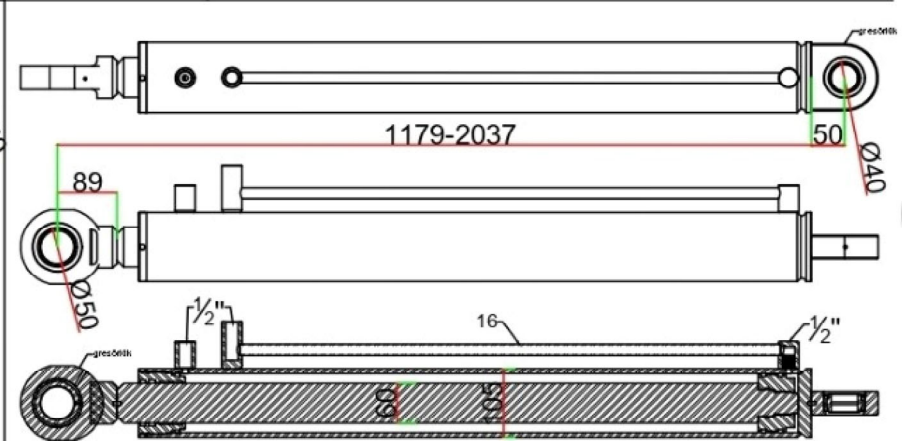
GARBAGE TRUCK LARGE LIFTING CYLINDER

CLOSED CENTER: 816 mm
OPEN CENTER: 1343 mm
STROKE: 527 mm
PUSH FORCE: 4.3 Tons
PULL FORCE: 2.4 Tons
OPERATING PRESSURE: 200 BAR
WEIGHT: 37 KG *H8-CK45



GARBAGE TRUCK 3-STAGE TELESCOPIC CYLINDER

CLOSED CENTER: 1376 mm
OPEN CENTER: 4178 mm
STROKE: 2802 mm
PUSH FORCE: 25.4 Tons
PULL FORCE: 4.8 Tons
OPERATING PRESSURE: 200 BAR
WEIGHT: 130 KG *H8-F7



GARBAGE TRUCK LARGE SLIDE CYLINDER

CLOSED CENTER: 1179 mm
OPEN CENTER: 2037 mm
STROKE: 858 mm
PUSH FORCE: 13 Tons
PULL FORCE: 7.2 Tons
OPERATING PRESSURE: 200 BAR
WEIGHT: 51 KG *H8-CK45