



TRUCK & TRAILER BODY PARTS

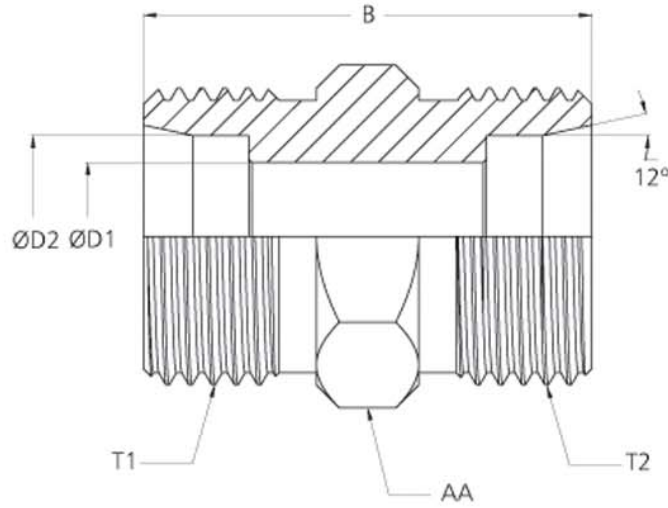
HYDRAULIC FITTINGS

- * METRIC
- * BSP
- * UNF
- * NPT
- * ORFS



HYDRAULIC FITTINGS

METRIC NIPPLES

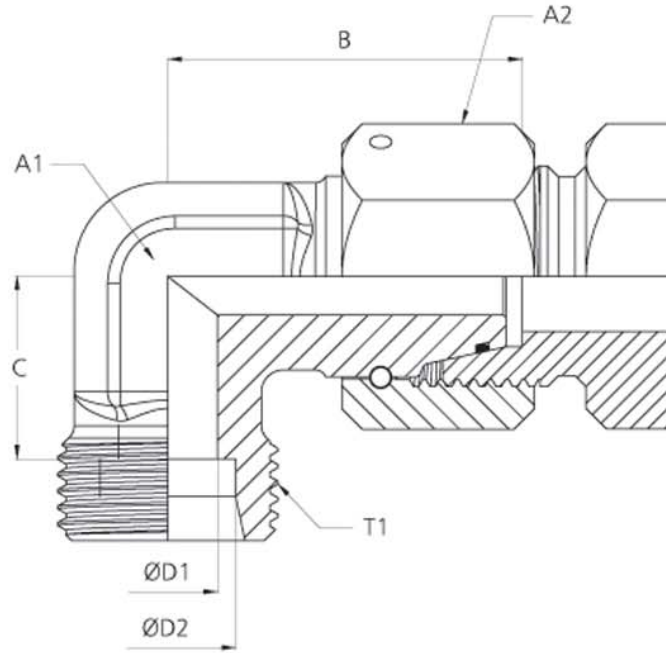


METRİK ARA NİPELLER / METRIC NIPPLES						
MALZEME KODU MATERIAL CODE	DIŞ ÖLÇÜSÜ THREAD SIZE T1	DIŞ ÖLÇÜSÜ THREAD SIZE T2	B	ØD1	ØD2	AA
L TİPİ / L TYPE						
RK-0606-MMNL	M12x1,5	M12x1,5	24	4	6	12
RK-0808-MMNL	M14x1,5	M14x1,5	25	6	8	14
RK-1010-MMNL	M16x1,5	M16x1,5	27	8	10	17
RK-1212-MMNL	M18x1,5	M18x1,5	28	10	12	19
RK-1515-MMNL	M22x1,5	M22x1,5	30	12	15	24
RK-1818-MMNL	M26x1,5	M26x1,5	31	15	18	27
RK-2222-MMNL	M30x2	M30x2	35	19	22	32
RK-2828-MMNL	M36x2	M36x2	36	24	28	41
RK-3535-MMNL	M45x2	M45x2	41	30	35	46
RK-4242-MMNL	M52x2	M52x2	43	36	42	55
S TİPİ / S TYPE						
RK-1212-MMNS	M20x1,5	M20x1,5	34	8	12	22
RK-1616-MMNS	M24x1,5	M24x1,5	38	12	16	27
RK-2020-MMNS	M30x2	M30x2	44	16	20	32
RK-2525-MMNS	M36x2	M36x2	50	20	25	41
RK-3030-MMNS	M42x2	M42x2	54	25	30	46



HYDRAULIC FITTINGS

METRIC REVERSE BEND

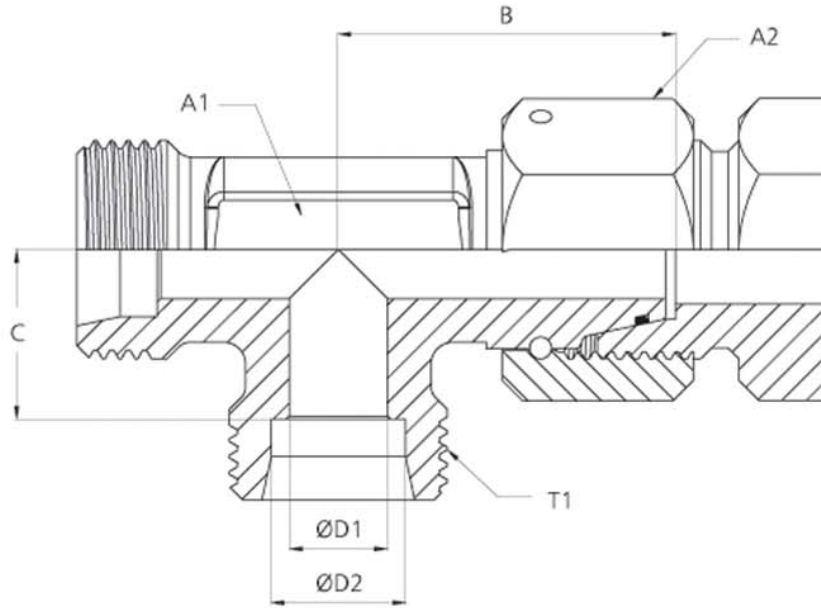


METRİK TERS DİRSEKLER / METRIC REVERSE BEND							
MALZEME KODU MATERIAL CODE	DIŞ ÖLÇÜSÜ THREAD SIZE T1	BORU ÇAPI PIPE DIAMETER ØD2	B	C	ØD1	A1	A2
L TİPİ / L TYPE							
RK-1206-MTD	M12x1,5	6	26	12	4	12	17
RK-1408-MTD	M14x1,5	8	27.5	14	6	12	17
RK-1610-MTD	M16x1,5	10	29	15	8	14	19
RK-1812-MTD	M18x1,5	12	29.5	17	10	17	22
RK-2215-MTD	M22x1,5	15	32.5	21	12	19	27
RK-2618-MTD	M26x1,5	18	35.5	23.5	15	24	32
RK-3022-MTD	M30x2	22	38.5	27.5	19	27	36
RK-3628-MTD	M36x2	28	41.5	30.5	24	36	41
RK-4535-MTD	M45x2	35	51	34.5	30	41	50
RK-5242-MTD	M52x2	42	56	40	36	50	60
S TİPİ / S TYPE							
RK-1406-MTD	M14x1,5	6	27	16	4	12	17
RK-1608-MTD	M16x1,5	8	27.5	17	5	14	19
RK-1810-MTD	M18x1,5	10	30	17.5	6	17	22
RK-2012-MTD	M20x1,5	12	31	21.5	8	17	24
RK-2416-MTD	M24x1,5	16	36.5	24.5	12	24	30
RK-3020-MTD	M30x2	20	44.5	26.5	16	27	36
RK-3625-MTD	M36x2	25	50	30	20	36	46
RK-4230-MTD	M42x2	30	55	35.5	25	41	50



HYDRAULIC FITTINGS

METRIC SIDE-LEG TEE

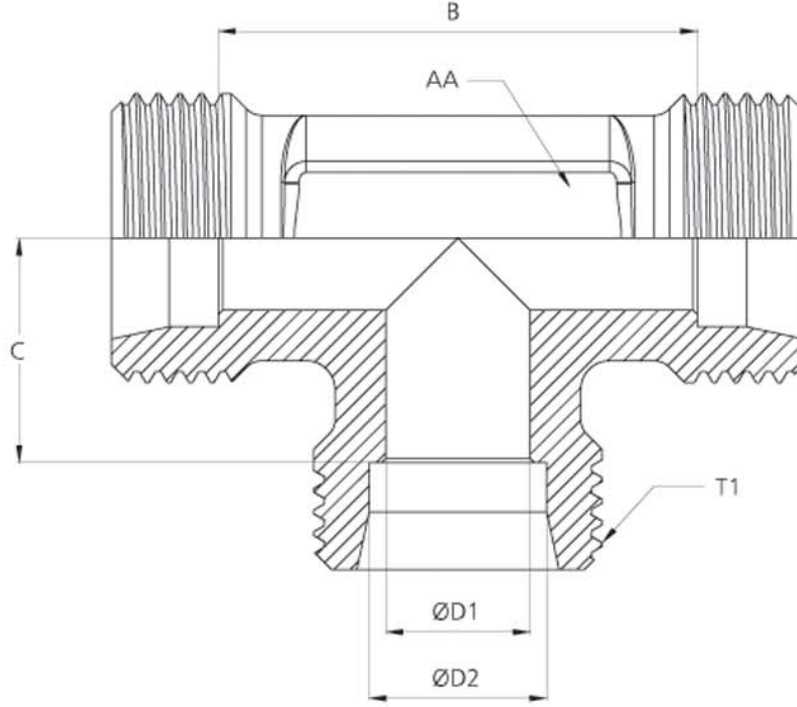


METRİK YANBACAK TEE / METRIC SIDE-LEG TEE							
MALZEME KODU MATERIAL CODE	DIŞ ÖLÇÜSÜ THREAD SIZE T1	BORU ÇAPI PIPE DIAMETER ØD2	B	C	ØD1	A1	A2
L TİPİ / L TYPE							
RK-1206-MYT	M12x1,5	6	26	12	4	12	17
RK-1408-MYT	M14x1,5	8	27.5	14	6	12	17
RK-1610-MYT	M16x1,5	10	29	15	8	14	19
RK-1812-MYT	M18x1,5	12	29.5	17	10	17	22
RK-2215-MYT	M22x1,5	15	32.5	21	12	19	27
RK-2618-MYT	M26x1,5	18	35.5	23.5	15	24	32
RK-3022-MYT	M30x2	22	38.5	27.5	19	27	36
RK-3628-MYT	M36x2	28	41.5	30.5	24	36	41
RK-4535-MYT	M45x2	35	51	34.5	30	41	50
RK-5242-MYT	M52x2	42	56	40	36	50	60
S TİPİ / S TYPE							
RK-1406-MYT	M14x1,5	6	27	16	4	12	17
RK-1608-MYT	M16x1,5	8	27.5	17	5	14	19
RK-1810-MYT	M18x1,5	10	30	17.5	6	17	22
RK-2012-MYT	M20x1,5	12	31	21.5	8	17	24
RK-2416-MYT	M24x1,5	16	36.5	24.5	12	24	30
RK-3020-MYT	M30x2	20	44.5	26.5	16	27	36
RK-3625-MYT	M36x2	25	50	30	20	36	46
RK-4230-MYT	M42x2	30	55	35.5	25	41	50



HYDRAULIC FITTINGS

METRIC TEE



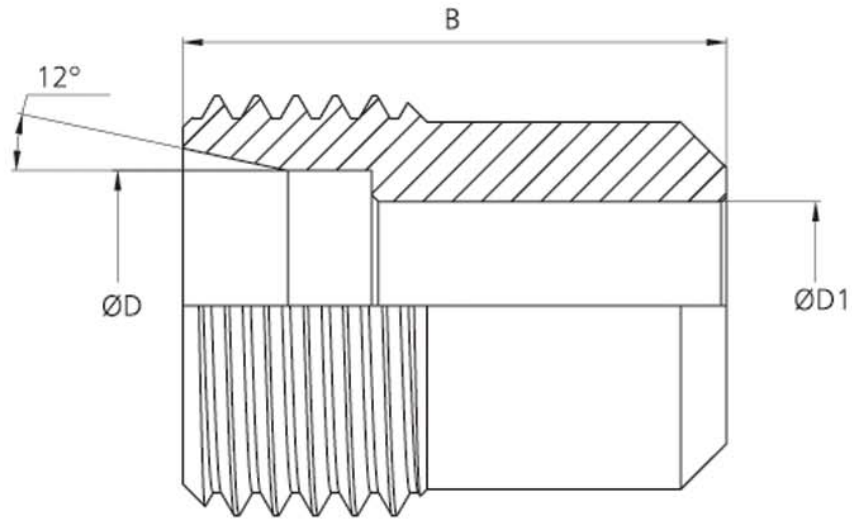
METRIK TEE / METRIC TEE

MALZEME KODU MATERIAL CODE	DIŞ ÖLÇÜSÜ THREAD SIZE T1	BORU ÇAPI PIPE DIAMETER ØD2	B	C	ØD1	AA
L TİPİ / L TYPE						
RK-1206-MT	M12x1,5	6	24	12	4	12
RK-1408-MT	M14x1,5	8	28	14	6	12
RK-1610-MT	M16x1,5	10	30	15	8	14
RK-1812-MT	M18x1,5	12	34	17	10	17
RK-2215-MT	M22x1,5	15	42	21	12	19
RK-2618-MT	M26x1,5	18	47	23.5	15	24
RK-3022-MT	M30x2	22	55	27.5	19	27
RK-3628-MT	M36x2	28	61	30.5	24	36
RK-4535-MT	M45x2	35	69	34.5	30	41
RK-5242-MT	M52x2	42	80	40	36	50
S TİPİ / S TYPE						
RK-1406-MT	M14x1,5	6	32	16	4	12
RK-1608-MT	M16x1,5	8	34	17	5	14
RK-1810-MT	M18x1,5	10	35	17.5	6	17
RK-2012-MT	M20x1,5	12	43	21.5	8	17
RK-2416-MT	M24x1,5	16	49	24.5	12	24
RK-3020-MT	M30x2	20	53	26.5	16	27
RK-3625-MT	M36x2	25	60	30	20	36
RK-4230-MT	M42x2	30	71	35.5	25	41



HYDRAULIC FITTINGS

METRIC WELDING NIPPLES

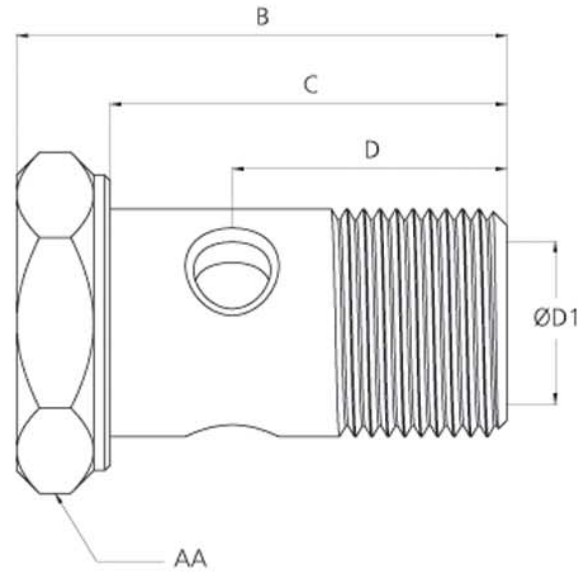


METRİK KAYNAK NİPELLERİ / METRIC WELDING NIPPLES				
MALZEME KODU MATERIAL CODE	DİŞ ÖLÇÜSÜ THREAD SIZE	B	ØD	ØD1
RK-1206-MKN	M12x1,5	17	6	4
RK-1408-MKN	M14x1,5	18.5	8	6
RK-1610-MKN	M16x1,5	20.5	10	8
RK-1812-MKN	M18x1,5	25	12	10
RK-2012-MKN	M20x1,5	26	12	10
RK-2215-MKN	M22x1,5	28	15	12
RK-2416-MKN	M24x1,5	28	16	12
RK-2618-MKN	M26x1,5	28	18	15
RK-3020-MKN	M30x2	32	20	16
RK-3625-MKN	M36x2	36.5	25	20
RK-4230-MKN	M42x2	40	30	25
RK-4535-MKN	M45x2	40	35	30



HYDRAULIC FITTINGS

NUT FITTINGS

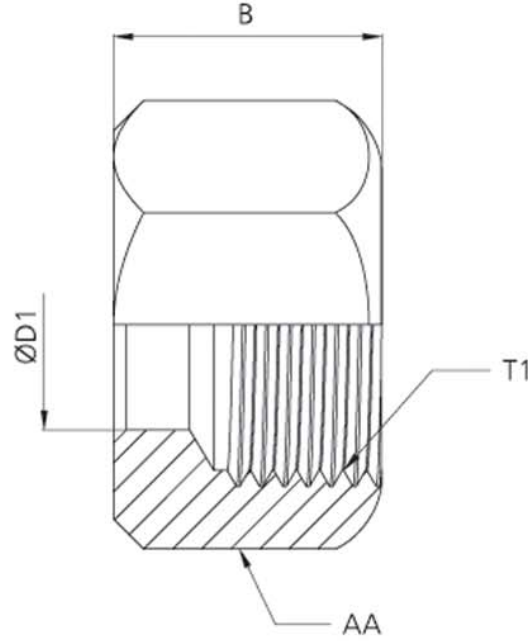


CİVATA REKORLAR / NUT FITTINGS						
MALZEME KODU MATERIAL CODE	DIŞ ÖLÇÜSÜ THREAD SIZE	B	C	D	ØD1	AA
RK-0812-MCR	M8x1,25	21	16	11.5	4	12
RK-1010-MCR	M10x1	25.5	20	14	5.5	14
RK-1215-MCR	M12x1,5	30	23.5	17	6.5	17
RK-1415-MCR	M14x1,5	33	26.5	18.5	7.5	19
RK-1615-MCR	M16x1,5	37.5	30	20	9	22
RK-1815-MCR	M18x1,5	42.5	34	24	11	24
RK-1028-RCR	R1/8-28	25.5	20	14.5	5	14
RK-1319-RCR	R1/4-19	32	25.5	17.5	7	17
RK-1719-RCR	R3/8-19	38	30.5	21	10	22



HYDRAULIC FITTINGS

PIPE NUTS

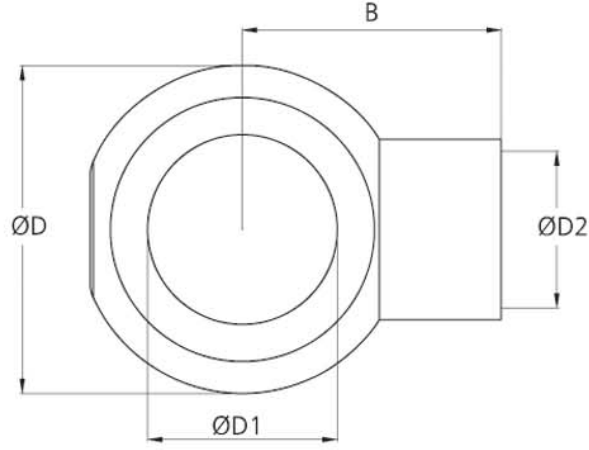


BORU SOMUNLARI / PIPE NUTS				
MALZEME KODU MATERIAL CODE	SOMUN ÖLÇÜSÜ NUT SIZE T1	BORU ÇAPI PIPE DIAMETER ØD1	B	AA
L TİPİ / L TYPE				
RK-0106-BS	M12x1,5	6	15	14
RK-0108-BS	M14x1,5	8	15	17
RK-0110-BS	M16x1,5	10	16	19
RK-0112-BS	M18x1,5	12	16	22
RK-0115-BS	M22x1,5	15	17.5	27
RK-0118-BS	M26x1,5	18	18.5	32
RK-0122-BS	M30x2	22	20.5	36
RK-0128-BS	M36x2	28	21	41
RK-0135-BS	M45x2	35	24	50
RK-0142-BS	M52x2	42	24.5	60
S TİPİ / S TYPE				
RK-0212-BS	M20x1,5	12	18.5	24
RK-0216-BS	M24x1,5	16	21	30
RK-0220-BS	M30x2	20	24.5	36
RK-0225-BS	M36x2	25	27	46
RK-0230-BS	M42x2	30	29	50



HYDRAULIC FITTINGS

RING FITTINGS FOR WELDING

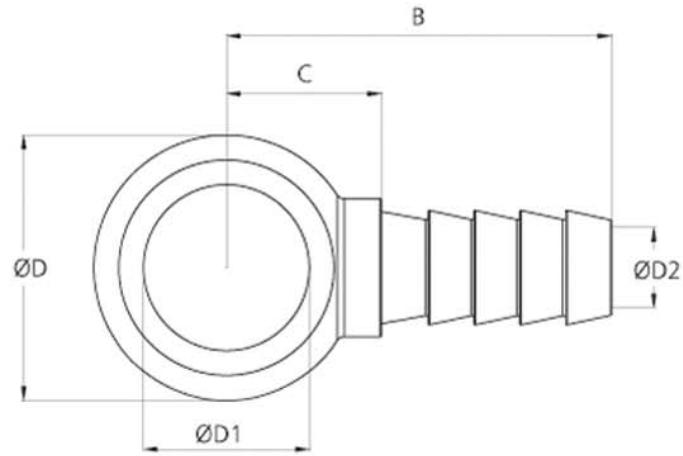


KAYNAKLIK HALKA REKORLAR / RING FITTINGS FOR WELDING				
MALZEME KODU MATERIAL CODE	B	ØD	ØD2	ØD1
RK-0508-HK	13.5	14	5	8
RK-0610-HK	15	18	6	10
RK-0812-HK	17	20	8	12
RK-1014-HK	20	24	10	14
RK-1216-HK	21.5	28	12	16
RK-1417-HK	22	28	12	17



HYDRAULIC FITTINGS

RING FITTINGS
WITH SHEET SOCKET CLAMPING



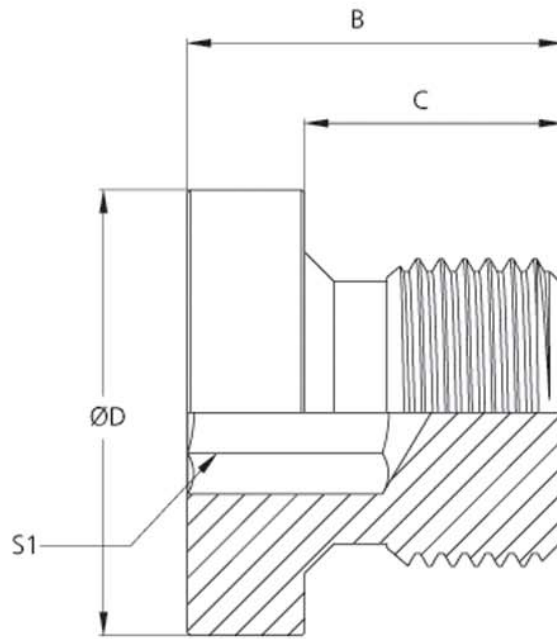
SAÇ SOKET SIKMALI HALKA REKORLAR / RING FITTINGS WITH SHEET SOCKET CLAMPING

MALZEME KODU MATERIAL CODE	HORTUM ÖLÇÜSÜ HOSE SIZE		B	C	ØD	ØD2	ØD1
	mm	inch					
RK-0508-HB	05	3/16	25.5	10	14	3	8
RK-0510-HB	05	3/16	27	12	18	3	10
RK-0610-HB	06	1/4	29.5	11	18	4	10
RK-0612-HB	06	1/4	32	13	20	4	12
RK-0812-HB	08	5/16	33	13	20	5.5	12
RK-0813-HB	08	5/16	34	14	22	5.5	13
RK-0814-HB	08	5/16	34.5	14	24	5.5	14
RK-1014-HB	10	3/8	37	14	24	7	14
RK-1016-HB	10	3/8	39	16	28	7	16
RK-1018-HB	10	3/8	40	17	32	7	18



HYDRAULIC FITTINGS

DUMMY PLUGS WITH METRIC ALLEN TIP



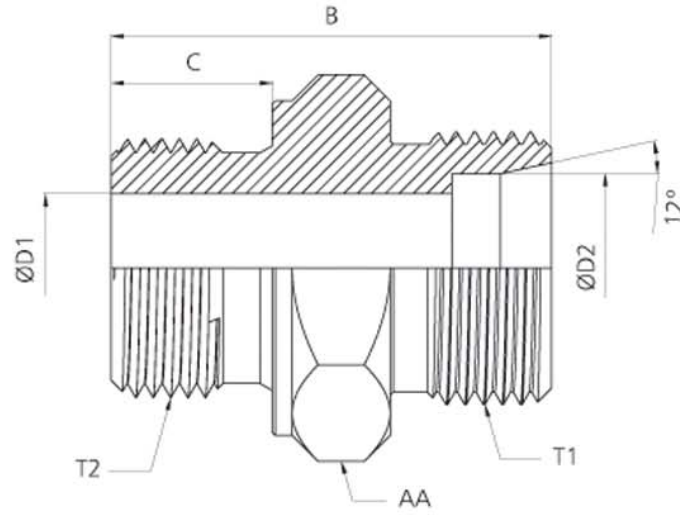
METRİK ALYAN BAŞLI KÖRTAPALAR / DUMMY PLUGS WITH METRIC ALLEN TIP

MALZEME KODU MATERIAL CODE	DIŞ ÖLÇÜSÜ THREAD SIZE	B	C	ØD	S1
RK-1215-MAT	M12x1,5	14	10	17	6
RK-1415-MAT	M14x1,5	17	12	19	6
RK-1615-MAT	M16x1,5	17	12	22	8
RK-1815-MAT	M18x1,5	17	12	24	8
RK-2015-MAT	M20x1,5	19	14	26	10



HYDRAULIC FITTINGS

METRIC BLOCK-METRIC NIPPLES
ITH COUNTERSUNK



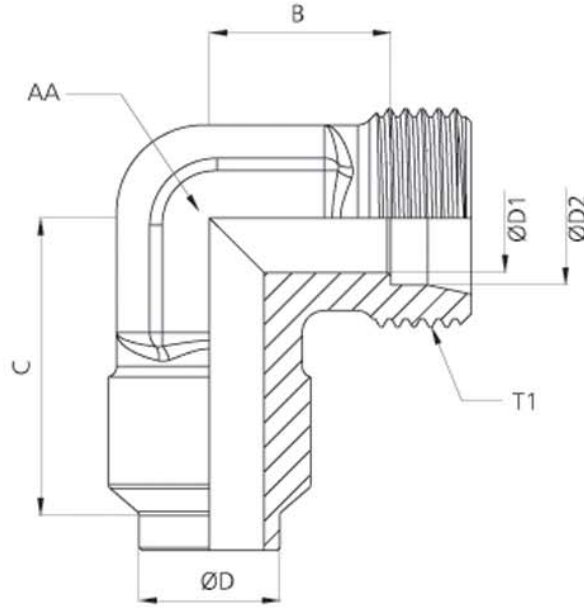
METRİK BLOK-METRİK HAŞALI NİPELLER / METRIC BLOCK-METRIC NIPPLES ITH COUNTERSUNK

MALZEME KODU MATERIAL CODE	DIŞ ÖLÇÜSÜ THREAD SIZE T2	DIŞ ÖLÇÜSÜ THREAD SIZE T1	B	C	ØD1	ØD2	AA
RK-1206-MMBN	M12 x 1.5	M12 x 1.5	27	10	4	6	17
RK-1208-MMBN	M12 x 1.5	M14 x 1.5	27	10	6	8	17
RK-1408-MMBN	M14 x 1.5	M14 x 1.5	28	10	6	8	19
RK-1410-MMBN	M14 x 1.5	M16 x 1.5	29	10	7	10	19
RK-1412-MMBN	M14 x 1.5	M18 x 1.5	29	10	7	12	19
RK-1608-MMBN	M16 x 1.5	M14 x 1.5	30.5	12	6	8	22
RK-1610-MMBN	M16 x 1.5	M16 x 1.5	31.5	12	8	10	22
RK-1612-MMBN	M16 x 1.5	M18 x 1.5	31.5	12	9	12	22
RK-1810-MMBN	M18 x 1.5	M16 x 1.5	31.5	12	8	10	22
RK-1812-MMBN	M18 x 1.5	M18 x 1.5	31.5	12	10	12	22
RK-1812-MMBNS	M18 x 1.5	M20x1,5	32.5	12	8	12	22
RK-1815-MMBN	M18 x 1.5	M22x1,5	32.5	12	10	15	22
RK-2208-MMBN	M22x1,5	M14 x 1.5	32.5	13	6	8	27
RK-2210-MMBN	M22x1,5	M16 x 1.5	33.5	13	8	10	27
RK-2212-MMBN	M22x1,5	M18 x 1.5	33.5	13	10	12	27
RK-2215-MMBN	M22x1,5	M22x1,5	34.5	13	12	15	27
RK-2216-MMBN	M22x1,5	M24x1,5	36.5	13	12	16	27



HYDRAULIC FITTINGS

METRIC BEND FOR WELDING

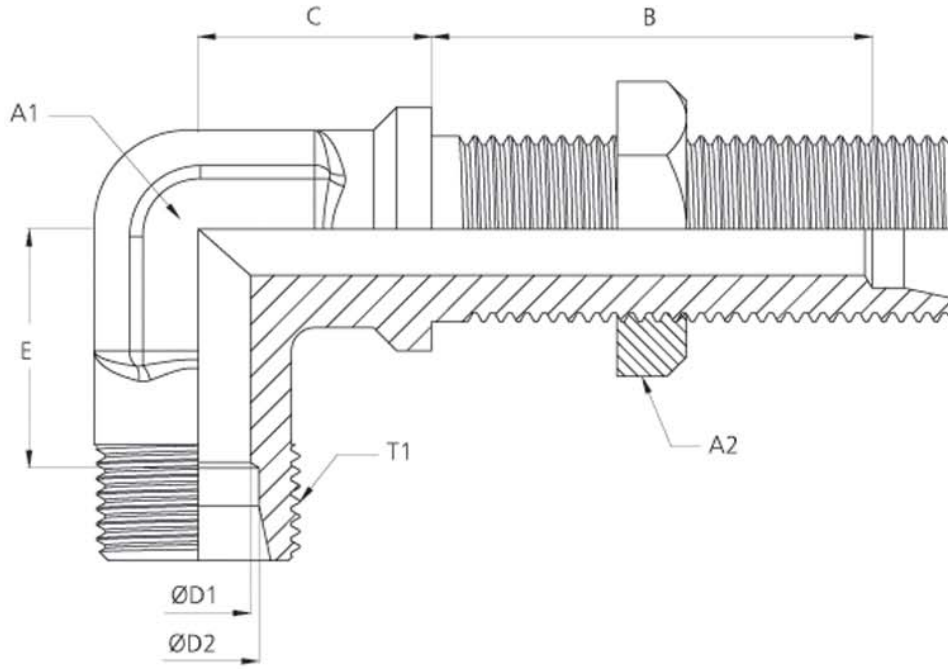


METRİK KAYNAKLIK DİRSEKLER / METRIC BEND FOR WELDING							
MALZEME KODU MATERIAL CODE	DIŞ ÖLÇÜSÜ THREAD SIZE T1	B	C	ØD	ØD1	ØD2	AA
L TİPİ / L TYPE							
RK-1206-MKD	M12x1,5	12	21.5	6	4	6	12
RK-1408-MKD	M14x1,5	14	22	8	6	8	12
RK-1610-MKD	M16x1,5	15	23	10	8	10	14
RK-1812-MKD	M18x1,5	17	24.5	12	10	12	17
RK-2215-MKD	M22x1,5	21	29	15	12	15	19
RK-2618-MKD	M26x1,5	23.5	32.5	18	15	18	24
RK-3022-MKD	M30x2	27.5	37	22	19	22	27
RK-3628-MKD	M36x2	30.5	40	28	24	28	36
RK-4535-MKD	M45x2	34.5	44	35	30	35	41
RK-5242-MKD	M52x2	40	55	42	36	42	50
S TİPİ / S TYPE							
RK-2012-MKD	M20x1,5	21.5	27	12	8	12	17
RK-2416-MKD	M24x1,5	24.5	31	16	12	16	24
RK-3020-MKD	M30x2	26.5	38	20	16	20	27
RK-3625-MKD	M36x2	30	41	25	20	25	36
RK-4230-MKD	M42x2	35.5	44	30	25	30	41



HYDRAULIC FITTINGS

METRIC CURTAIN PASS ELBOWS

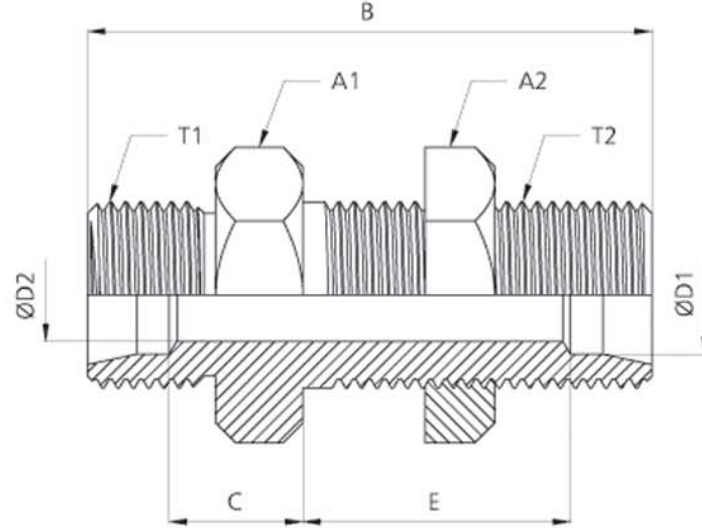


METRİK PERDE GEÇİŞ DİRSEKLERİ / METRIC CURTAIN PASS ELBOWS								
MALZEME KODU MATERIAL CODE	DİŞ ÖLÇÜSÜ THREAD SIZE T1	B	C	E	ØD1	ØD2	A1	A2
L TİPİ / L TYPE								
RK-1206-MPGD	M12x1,5	27	14	12	4	6	12	17
RK-1408-MPGD	M14x1,5	27	17	14	6	8	12	19
RK-1610-MPGD	M16x1,5	28	18	15	8	10	14	22
RK-1812-MPGD	M18x1,5	29	20	17	10	12	17	24
RK-2215-MPGD	M22x1,5	31	23	21	12	15	19	30
RK-2618-MPGD	M26x1,5	32.5	24	23.5	15	18	24	36
RK-3022-MPGD	M30x2	34.5	30	27.5	19	22	30	36
RK-3628-MPGD	M36x2	35.5	34	30.5	24	28	36	46
S TİPİ / S TYPE								
RK-1406-MPGD	M14x1,5	29	17	16	4	6	12	19
RK-1608-MPGD	M16x1,5	29	18	17	5	8	14	22
RK-1810-MPGD	M18x1,5	29.5	20	17.5	7	10	17	24
RK-2012-MPGD	M20x1,5	30.5	21	21.5	8	12	17	27
RK-2416-MPGD	M24x1,5	31.5	24	24.5	12	16	24	32
RK-3020-MPGD	M30x2	33.5	30	26.5	16	20	30	36



HYDRAULIC FITTINGS

METRIC CURTAIN PASS NIPPLES

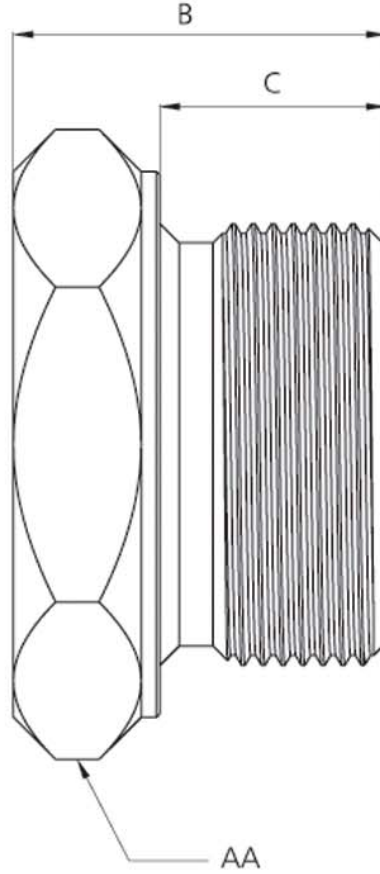


METRIK PERDE GEÇİŞ NİPELLERİ / METRIC CURTAIN PASS NIPPLES									
MALZEME KODU MATERIAL CODE	DİŞ ÖLÇÜSÜ THREAD SIZE T1	DİŞ ÖLÇÜSÜ THREAD SIZE T2	B	C	E	ØD1	ØD2	A1	A2
L TIPI / L TYPE									
RK-1206-MPGN	M12x1,5	M12x1,5	48	7	27	6	4	17	17
RK-1408-MPGN	M14x1,5	M14x1,5	49	8	27	8	6	19	19
RK-1610-MPGN	M16x1,5	M16x1,5	52	10	28	10	8	22	22
RK-1812-MPGN	M18x1,5	M18x1,5	53	10	29	12	10	24	24
RK-2215-MPGN	M22x1,5	M22x1,5	57	12	31	15	12	27	30
RK-2618-MPGN	M26x1,5	M26x1,5	61	13.5	32.5	18	15	32	36
RK-3022-MPGN	M30x2	M30x2	66	16.5	34.5	22	19	36	41
RK-3628-MPGN	M36x2	M36x2	69	18.5	35.5	28	24	41	46
RK-4535-MPGN	M45x2	M45x2	76	18.5	36.5	35	30	50	55
RK-5242-MPGN	M52x2	M52x2	77	19	36	42	36	60	65
S TIPI / S TYPE									
RK-1406-MPGN	M14x1,5	M14x1,5	55	12	29	6	4	19	19
RK-1608-MPGN	M16x1,5	M16x1,5	56	13	29	8	5	22	22
RK-1810-MPGN	M18x1,5	M18x1,5	59	14.5	29.5	10	7	24	24
RK-2012-MPGN	M20x1,5	M20x1,5	60	14.5	30.5	12	8	27	27
RK-2416-MPGN	M24x1,5	M24x1,5	65	16.5	31.5	16	12	32	32
RK-3020-MPGN	M30x2	M30x2	72	17.5	33.5	20	16	41	41
RK-3625-MPGN	M36x2	M36x2	79	20	35	25	20	46	46
RK-4230-MPGN	M42x2	M42x2	86	21.5	37.5	30	25	50	50



HYDRAULIC FITTINGS

METRIC DUMMY PLUG

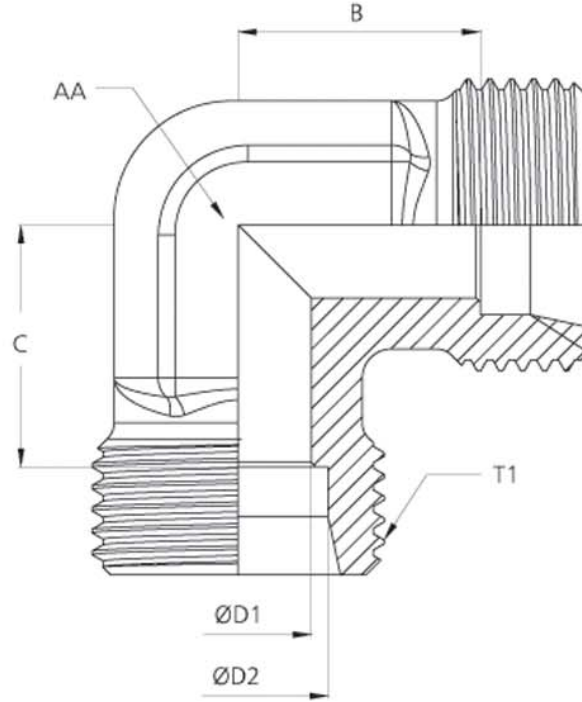


METRİK KÖRTAPALAR / METRIC DUMMY PLUG				
MALZEME KODU MATERIAL CODE	DİŞ ÖLÇÜSÜ THREAD SIZE	B	C	AA
RK-1215-MKT	M12x1,5	15	9	17
RK-1415-MKT	M14x1,5	16.5	10	19
RK-1615-MKT	M16x1,5	16.5	10	22
RK-1815-MKT	M18x1,5	17.5	11	22
RK-2015-MKT	M20x1,5	20.5	12	24
RK-2215-MKT	M22x1,5	21	12	27
RK-2415-MKT	M24x1,5	22.5	13	30



HYDRAULIC FITTINGS

METRIC ELBOWS

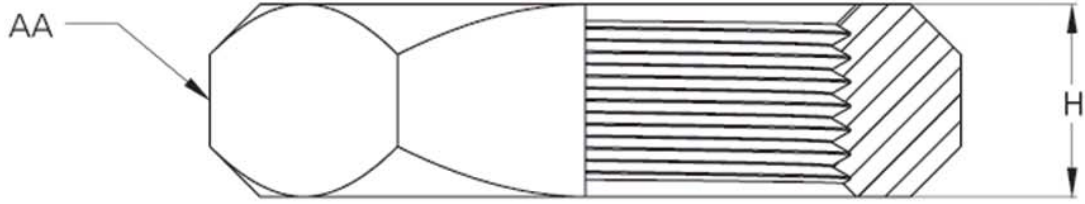


METRİK DİRSEKLER / METRIC ELBOWS						
MALZEME KODU MATERIAL CODE	DIŞ ÖLÇÜSÜ THREAD SIZE T1	BORU ÇAPINI PIPE DIAMETER ØD2	B	C	ØD1	AA
L TİPİ / L TYPE						
RK-1206-MD	M12x1,5	6	12	12	4	12
RK-1408-MD	M14x1,5	8	14	14	6	12
RK-1610-MD	M16x1,5	10	15	15	8	14
RK-1812-MD	M18x1,5	12	17	17	10	17
RK-2215-MD	M22x1,5	15	21	21	12	19
RK-2618-MD	M26x1,5	18	23.5	23.5	15	24
RK-3022-MD	M30x2	22	27.5	27.5	19	27
RK-3628-MD	M36x2	28	30.5	30.5	24	36
RK-4535-MD	M45x2	35	34.5	34.5	30	41
RK-5242-MD	M52x2	42	40	40	36	50
S TİPİ / S TYPE						
RK-1406-MD	M14x1,5	6	16	16	4	12
RK-1608-MD	M16x1,5	8	17	17	5	14
RK-1810-MD	M18x1,5	10	17.5	17.5	6	17
RK-2012-MD	M20x1,5	12	21.5	21.5	8	17
RK-2416-MD	M24x1,5	16	24.5	24.5	12	24
RK-3020-MD	M30x2	20	26.5	26.5	16	27
RK-3625-MD	M36x2	25	30	30	20	36
RK-4230-MD	M42x2	30	35.5	35.5	25	41



HYDRAULIC FITTINGS

METRIC LOCK NUTS

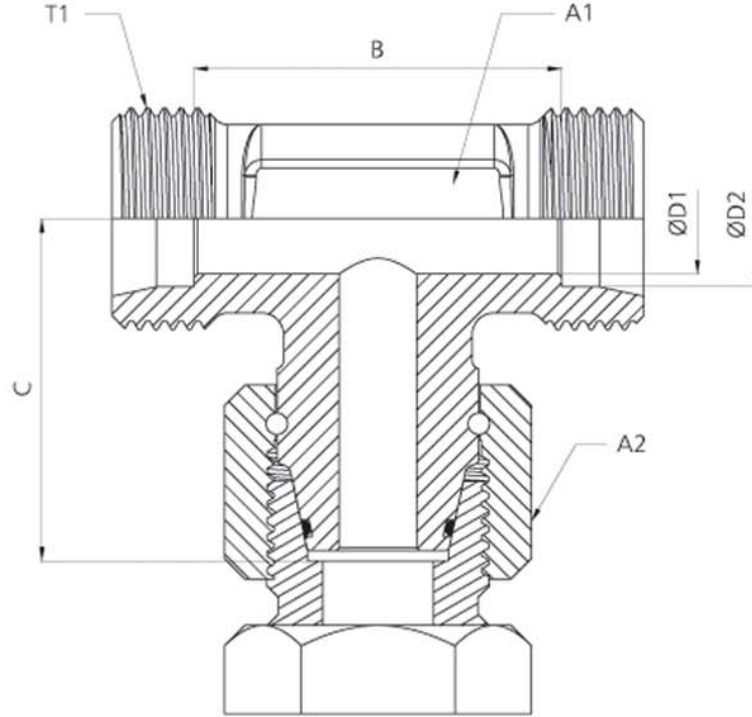


METRİK KONTRA SOMUNLAR / METRIC LOCK NUTS			
MALZEME KODU MATERIAL CODE	DIŐ ÖLÇÜSÜ THREAD SIZE	H	AA
RK-1215-MKS	M12x1,5	6	17
RK-1415-MKS	M14x1,5	6	19
RK-1615-MKS	M16x1,5	6	22
RK-1815-MKS	M18x1,5	6	24
RK-2015-MKS	M20x1,5	6	27
RK-2215-MKS	M22x1,5	7	30
RK-2415-MKS	M24x1,5	7	32
RK-2615-MKS	M26x1,5	8	36
RK-3020-MKS	M30x2	8	41
RK-3620-MKS	M36x2	9	46
RK-4220-MKS	M42x2	9	50
RK-4520-MKS	M45x2	9	55



HYDRAULIC FITTINGS

METRIC MID-LEG TEE

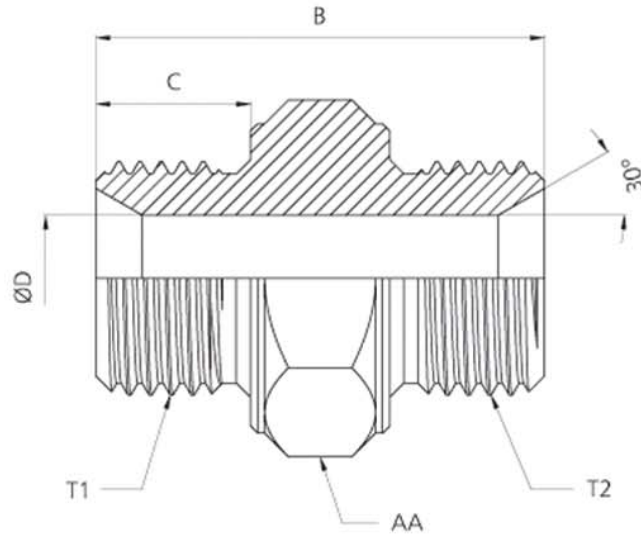


METRİK ORTABACAK TEE / METRIC MID-LEG TEE							
MALZEME KODU MATERIAL CODE	DIŞ ÖLÇÜSÜ THREAD SIZE T1	BORU ÇAPI PIPE DIAMETER ØD2	B	C	ØD1	A1	A2
L TIPI / L TYPE							
RK-1206-MOT	M12x1,5	6	24	26	4	12	17
RK-1408-MOT	M14x1,5	8	28	27,5	6	12	17
RK-1610-MOT	M16x1,5	10	30	29	8	14	19
RK-1812-MOT	M18x1,5	12	34	29,5	10	17	22
RK-2215-MOT	M22x1,5	15	42	32,5	12	19	27
RK-2618-MOT	M26x1,5	18	47	35,5	15	24	32
RK-3022-MOT	M30x2	22	55	38,5	19	27	36
RK-3628-MOT	M36x2	28	61	41,5	24	36	41
RK-4535-MOT	M45x2	35	69	51	30	41	50
RK-5242-MOT	M52x2	42	80	56	36	50	60
S TIPI / S TYPE							
RK-1406-MOT	M14x1,5	6	32	27	4	12	17
RK-1608-MOT	M16x1,5	8	34	27,5	5	14	19
RK-1810-MOT	M18x1,5	10	35	30	6	17	22
RK-2012-MOT	M20x1,5	12	43	31	8	17	24
RK-2416-MOT	M24x1,5	16	49	36,5	12	24	30
RK-3020-MOT	M30x2	20	53	44,5	16	27	36
RK-3625-MOT	M36x2	25	60	50	20	36	46
RK-4230-MOT	M42x2	30	71	55	25	41	50



HYDRAULIC FITTINGS

BSP - BSP EXTENSION NIPPLES

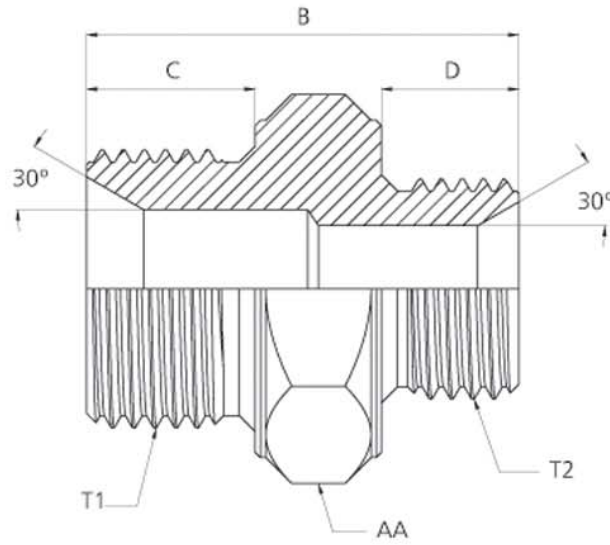


BSP-BSP ARA NİPELLER / BSP-BSP EXTENSION NIPPLES						
MALZEME KODU MATERIAL CODE	DIŞ ÖLÇÜSÜ THREAD SIZE T1	DIŞ ÖLÇÜSÜ THREAD SIZE T2	B	C	ØD	AA
RK-1010-RRN	R1/8-28	R1/8-28	24.5	9	5	14
RK-1313-RRN	R1/4-19	R1/4-19	31	11	6	19
RK-1717-RRN	R3/8-19	R3/8-19	33.5	12	9	22
RK-2121-RRN	R1/2-14	R1/2-14	39	14	12	27
RK-2323-RRN	R5/8-14	R5/8-14	43.5	16	13	30
RK-2626-RRN	R3/4-14	R3/4-14	44	16	15	32
RK-3333-RRN	R1"-11	R1"-11	50.5	18.5	20	41
RK-4242-RRN	R1"1/4-11	R1"1/4-11	59.5	22	28	50
RK-4848-RRN	R1"1/2-11	R1"1/2-11	61	22	32	55
RK-6060-RRN	R2"-11	R2"-11	66.5	24	41	70
RK-7575-RRN	R2"1/2-11	R2"1/2-11	70	24	56	85



HYDRAULIC FITTINGS

BSP - BSP PROPORTION NIPPLE

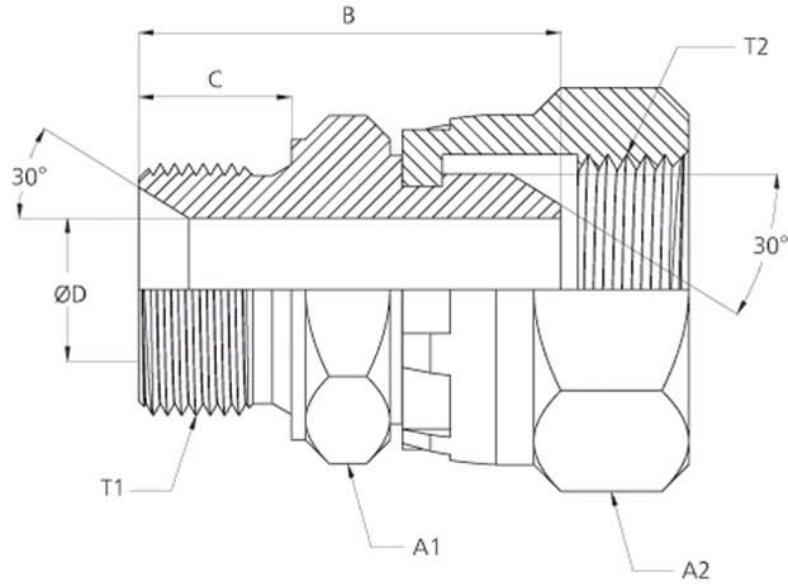


BSP-BSP ORANTI NİPELLERİ / BSP-BSP PROPORTION NIPPLE						
MALZEME KODU MATERIAL CODE	DİŞ ÖLÇÜSÜ THREAD SIZE T2	DİŞ ÖLÇÜSÜ THREAD SIZE T1	B	C	D	AA
RK-1013-RRON	R1/8-28	R1/4-19	29	11	9	19
RK-1017-RRON	R1/8-28	R3/8-19	30.5	12	9	22
RK-1317-RRON	R1/4-19	R3/8-19	32.5	12	11	22
RK-1321-RRON	R1/4-19	R1/2-14	36	14	11	27
RK-1721-RRON	R3/8-19	R1/2-14	37	14	12	27
RK-1726-RRON	R3/8-19	R3/4-14	40	16	12	32
RK-2123-RRON	R1/2-14	R5/8-14	41.5	16	14	30
RK-2126-RRON	R1/2-14	R3/4-14	42	16	14	32
RK-2133-RRON	R1/2-14	R1"-11	46	18.5	14	41
RK-2326-RRON	R5/8-14	R3/4-14	44	16	16	32
RK-2633-RRON	R3/4-14	R1"-11	48	18.5	16	41
RK-2642-RRON	R3/4-14	R1"1/4-11	53.5	22	16	50
RK-3342-RRON	R1"-11	R1"1/4-11	56	22	18.5	50
RK-3348-RRON	R1"-11	R1"1/2-11	57.5	22	18.5	55
RK-4248-RRON	R1"1/4-11	R1"1/2-11	61	22	22	55
RK-4260-RRON	R1"1/4-11	R2"-11	65	24	22	70
RK-4860-RRON	R1"1/2-11	R2"-11	65	24	22	70
RK-6075-RRON	R2"-11	R2"1/2-11	70	24	24	85



HYDRAULIC FITTINGS

BSP - BSP REVERSE NIPPLES

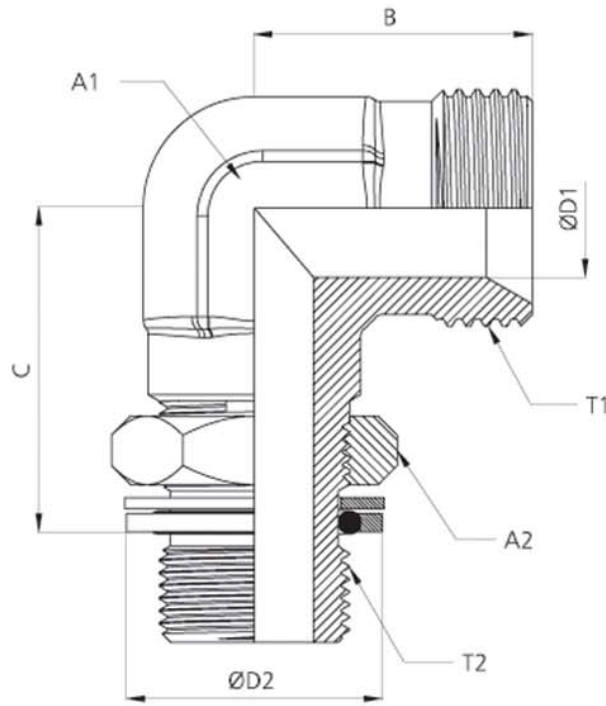


BSP-BSP TERS NİPELLER / BSP-BSP REVERSE NIPPLES							
MALZEME KODU MATERIAL CODE	DIŞ ÖLÇÜSÜ THREAD SIZE T1	SOMUN ÖLÇÜSÜ NUT SIZE T2	B	C	ØD	A1	A2
RK-1010-RRTN	R1/8-28	R1/8-28	23.5	9	4	14	14
RK-1313-RRTN	R1/4-19	R1/4-19	31	11	5.5	19	17
RK-1717-RRTN	R3/8-19	R3/8-19	33.5	12	8	22	22
RK-2121-RRTN	R1/2-14	R1/2-14	39.5	14	10	27	27
RK-2626-RRTN	R3/4-14	R3/4-14	45	16	15	32	32
RK-3333-RRTN	R1"-11	R1"-11	53	18.5	20	41	41
RK-4242-RRTN	R1"1/4-11	R1"1/4-11	58.5	22	26	50	50



HYDRAULIC FITTINGS

BSP ADJUSTING LOCK ELBOWS

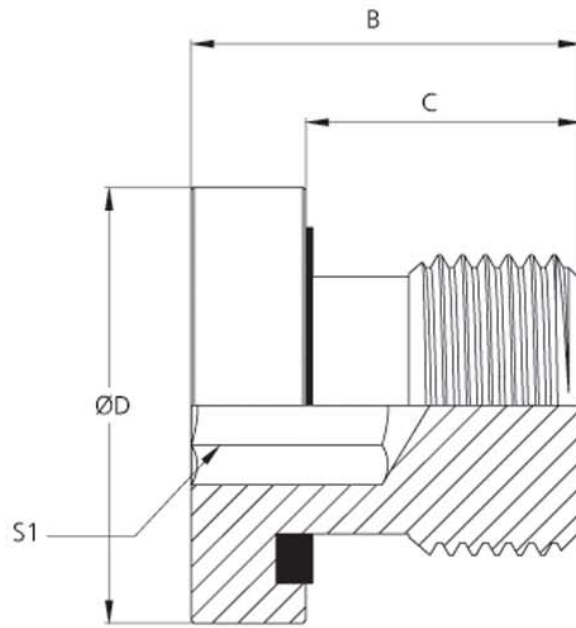


BSP KONTRALI DİRSEKLER / BSP ADJUSTING LOCK ELBOWS								
MALZEME KODU MATERIAL CODE	DIŞ ÖLÇÜSÜ THREAD SIZE T1	DIŞ ÖLÇÜSÜ THREAD SIZE T2	B	C	ØD1	ØD2	A1	A2
RK-1010-RRKD	R1/8-28	R1/8-28	18.5	19	4	15	11	14
RK-1313-RRKD	R1/4-19	R1/4-19	24	25	6	20	15	19
RK-1717-RRKD	R3/8-19	R3/8-19	27	28	9	23	18	22
RK-2121-RRKD	R1/2-14	R1/2-14	31	36	12	28	24	27
RK-2626-RRKD	R3/4-14	R3/4-14	36	36	15	33	30	32
RK-3333-RRKD	R1"-11	R1"-11	42.5	44	20	41	36	41
RK-4242-RRKD	R1"1/4-11	R1"1/4-11	48	49	26	51	42	50



HYDRAULIC FITTINGS

BSP ALLEN DUMMY PLUGS



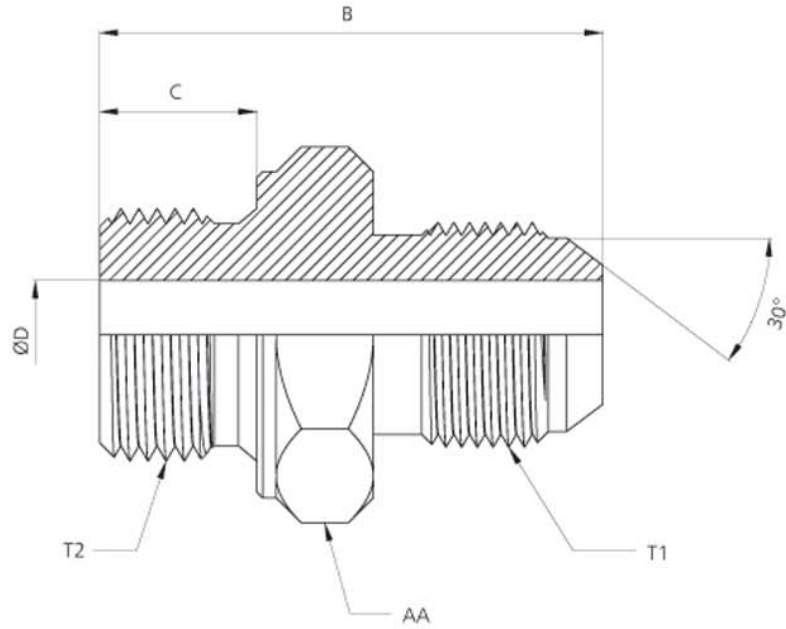
BSP ALYAN BAŞLI KÖRTAPALAR / BSP ALLEN DUMMY PLUGS

MALZEME KODU MATERIAL CODE	DIŞ ÖLÇÜSÜ THREAD SIZE	B	C	ØD	S1
RK-1028-RAT	R1/8-28	12	8	14	5
RK-1319-RAT	R1/4-19	17	12	19	6
RK-1719-RAT	R3/8-19	17	12	22	8
RK-2114-RAT	R1/2-14	19	14	27	10
RK-2614-RAT	R3/4-14	21	16	32	12
RK-3311-RAT	R1"-11	22.5	16	40	17
RK-4211-RAT	R1"1/4-11	22.5	16	50	22



HYDRAULIC FITTINGS

BSP BLOCK - BSP CAMBERED NIPPLES



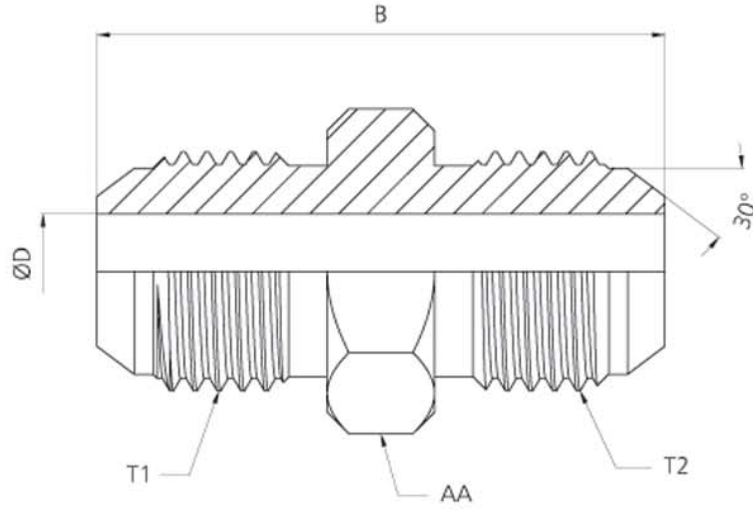
BSP BLOK-BSP BOMBELİ NİPELLER / BSP BLOCK-BSP CAMBERED NIPPLES

MALZEME KODU MATERIAL CODE	DIŞ ÖLÇÜSÜ THREAD SIZE T2	DIŞ ÖLÇÜSÜ THREAD SIZE T1	B	C	ØD	AA
RK-1313-RRBN	R1/4-19	R1/4-19	33	11	6.5	19
RK-1717-RRBN	R3/8-19	R3/8-19	36.5	12	8	22
RK-2121-RRBN	R1/2-14	R1/2-14	42.5	13	12	27
RK-2626-RRBN	R3/4-14	R3/4-14	48	15	15	32



HYDRAULIC FITTINGS

BSP CAMBERED-BSP CAMBERED NIPPLES



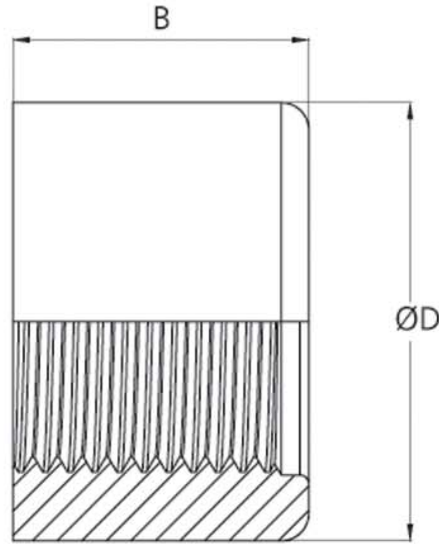
BSP BOMBELİ-BSP BOMBELİ NİPELLER / BSP CAMBERED-BSP CAMBERED NIPPLES

MALZEME KODU MATERIAL CODE	DİŞ ÖLÇÜSÜ THREAD SIZE T1	DİŞ ÖLÇÜSÜ THREAD SIZE T2	B	ØD	AA
RK-1313-RBBN	R1/4-19	R1/4-19	35	6.5	14
RK-1717-RBBN	R3/8-19	R3/8-19	40	8	17
RK-2121-RBBN	R1/2-14	R1/2-14	49.5	12	24
RK-2626-RBBN	R3/4-14	R3/4-14	55.5	15	27



HYDRAULIC FITTINGS

BSP COUPLINGS FOR WELDING

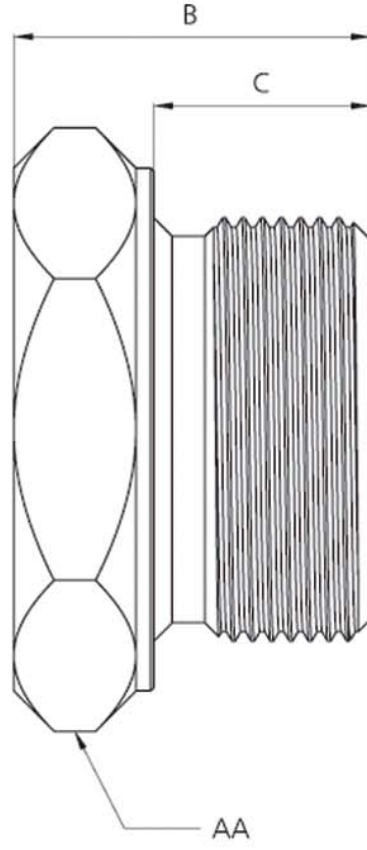


BSP KAYNAKLIK MAŞONLAR / BSP COUPLINGS FOR WELDING			
MALZEME KODU MATERIAL CODE	DİŞ ÖLÇÜSÜ THREAD SIZE	B	ØD
RK-1319-RKM	R1/4-19	14	22
RK-1719-RKM	R3/8-19	14	26
RK-2114-RKM	R1/2-14	14.5	32
RK-2614-RKM	R3/4-14	20	40



HYDRAULIC FITTINGS

BSP DUMMY PLUGS

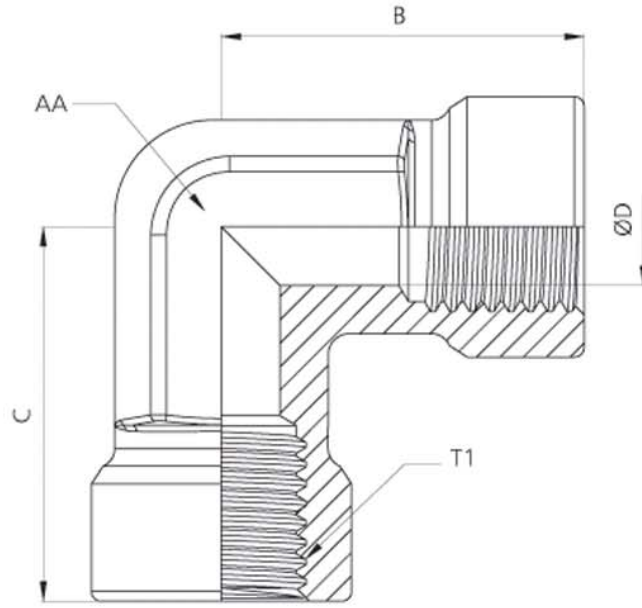


BSP KÖRTAPALAR / BSP DUMMY PLUGS				
MALZEME KODU MATERIAL CODE	DİŞ ÖLÇÜSÜ THREAD SIZE	B	C	AA
RK-1028-RT	R1/8-28	13.5	8	14
RK-1319-RT	R1/4-19	17	10	19
RK-1719-RT	R3/8-19	17.5	11	22
RK-2114-RT	R1/2-14	21	12	27
RK-2614-RT	R3/4-14	25	15	32



HYDRAULIC FITTINGS

BSP FEMALE ELBOWS

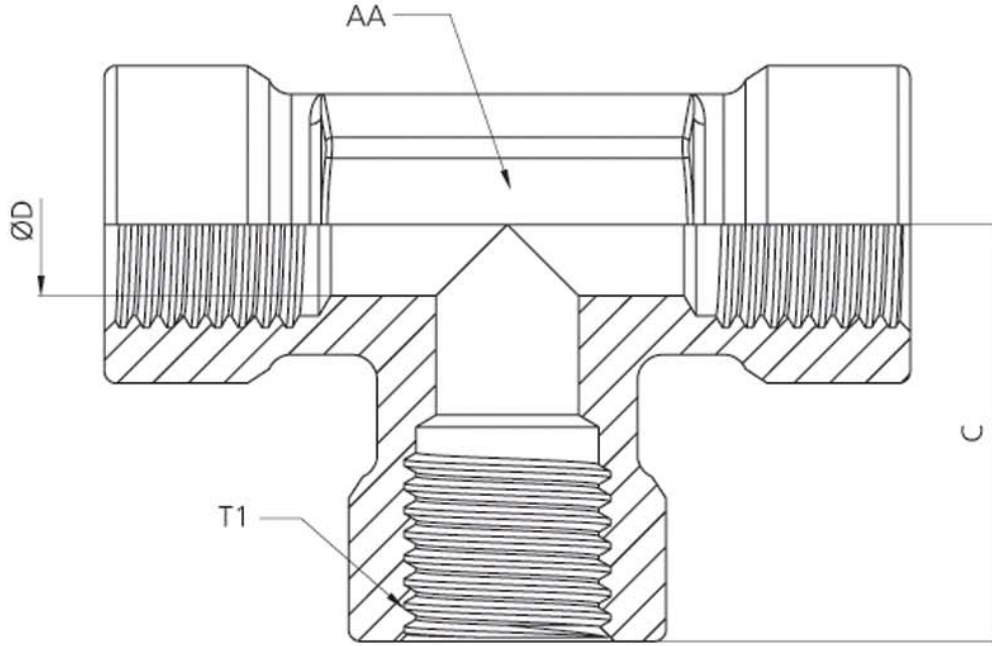


BSP DiŐi DİRSEKLER / BSP FEMALE ELBOWS					
MALZEME KODU MATERIAL CODE	DIŐ ÖLÇÜŐÜ THREAD SIZE T1	B	C	ØD	AA
RK-1010-DD	R1/8-28	20	20	8.5	15
RK-1313-DD	R1/4-19	22	22	9	19
RK-1717-DD	R3/8-19	26	26	11	22
RK-2121-DD	R1/2-14	31	31	15	27
RK-2626-DD	R3/4-14	40	40	18	33



HYDRAULIC FITTINGS

BSP FEMALE TEE

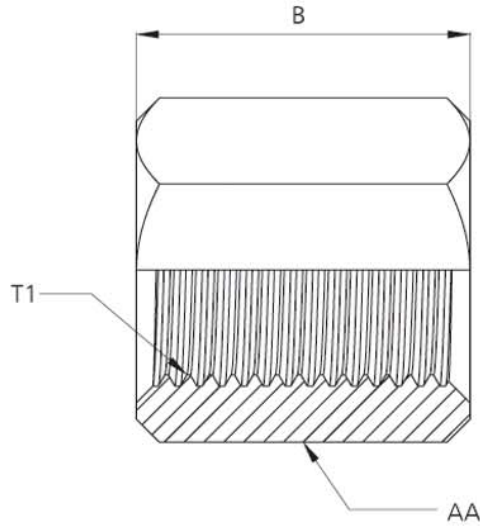


BSP DIŞİ TEE / BSP FEMALE TEE				
MALZEME KODU MATERIAL CODE	DIŞ ÖLÇÜSÜ THREAD SIZE T1	C	ØD	AA
RK-1010-DT	R1/8-28	20	8.5	15
RK-1313-DT	R1/4-19	22	9	19
RK-1717-DT	R3/8-19	26	11	22
RK-2121-DT	R1/2-14	31	15	27
RK-2626-DT	R3/4-14	40	18	33



HYDRAULIC FITTINGS

BSP HEXAGONAL COUPLINGS

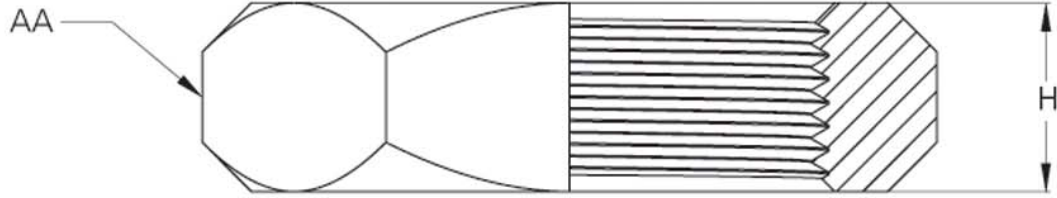


BSP ALTİKÖŞE MAŞONLAR / BSP HEXAGONAL COUPLINGS			
MALZEME KODU MATERIAL CODE	DİŞ ÖLÇÜSÜ THREAD SIZE T1	B	AA
RK-1028-RAM	R1/8-28	19	14
RK-1319-RAM	R1/4-19	28	17
RK-1719-RAM	R3/8-19	26	22
RK-2114-RAM	R1/2-14	30	27
RK-2614-RAM	R3/4-14	35	32
RK-3311-RAM	R1"-11	41	41
RK-4211-RAM	R1 1/4-11	43	50



HYDRAULIC FITTINGS

BSP LOCK NUTS

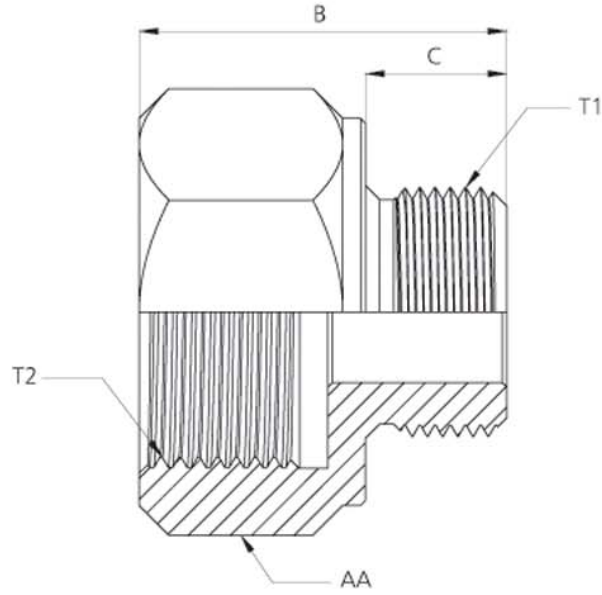


BSP KONTRA SOMUNLAR / BSP LOCK NUTS			
MALZEME KODU MATERIAL CODE	DİŞ ÖLÇÜSÜ THREAD SIZE	H	AA
RK-1028-RKS	R1/8-28	5	14
RK-1319-RKS	R1/4-19	5.5	19
RK-1719-RKS	R3/8-19	6.5	22
RK-2114-RKS	R1/2-14	7.5	27
RK-2614-RKS	R3/4-14	8.5	32
RK-3311-RKS	R1"-11	10	41
RK-4211-RKS	R1"1/4-11	11	50



HYDRAULIC FITTINGS

BSP LONG TYPE REDUCTIONS

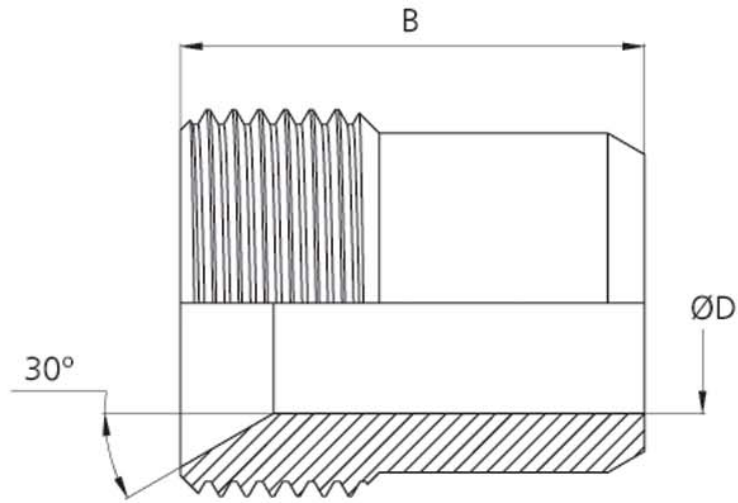


BSP UZUN TİP REDİKSİYONLAR / BSP LONG TYPE REDUCTIONS					
MALZEME KODU MATERIAL CODE	DİŞ ÖLÇÜSÜ THREAD SIZE T1	DİŞ ÖLÇÜSÜ THREAD SIZE T2	B	C	AA
RK-1010-URD	R1/8-28	R1/8-28	20	8	14
RK-1310-URD	R1/4-19	R1/8-28	24	11	19
RK-1317-URD	R1/4-19	R3/8-19	28	11	22
RK-1321-URD	R1/4-19	R1/2-14	29	11	27
RK-1713-URD	R3/8-19	R1/4-19	27	12	22
RK-1721-URD	R3/8-19	R1/2-14	34	12	27
RK-1726-URD	R3/8-19	R3/4-14	32	12	32
RK-2117-URD	R1/2-14	R3/8-19	30	13	27
RK-2126-URD	R1/2-14	R3/4-14	33	13	32
RK-2133-URD	R1/2-14	R1"-11	36	13	41
RK-2621-URD	R3/4-14	R1/2-14	33	15	32
RK-2633-URD	R3/4-14	R1"-11	38	15	41
RK-2642-URD	R3/4-14	R1"1/4-11	42	15	50
RK-3326-URD	R1"-11	R3/4-14	38	18	41
RK-3342-URD	R1"-11	R1"1/4-11	45,5	18	50
RK-3348-URD	R1"-11	R1"1/2-11	47	18	55
RK-4233-URD	R1"1/4-11	R1"-11	43	20	50
RK-4248-URD	R1"1/4-11	R1"1/2-11	49	20	55



HYDRAULIC FITTINGS

BSP MALE WELDING NIPPLES



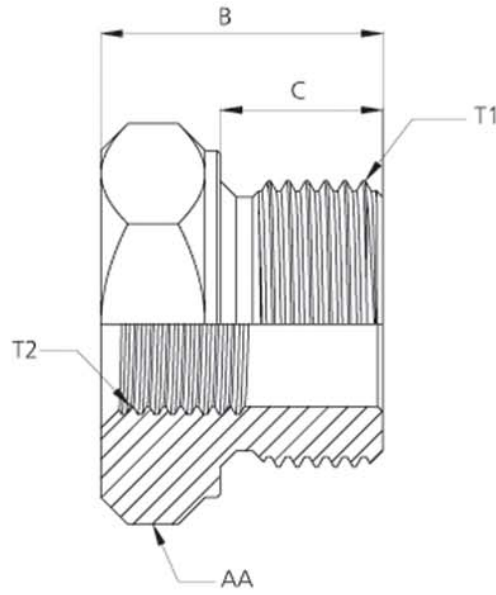
BSP ERKEK KAYNAK NİPELLERİ / BSP MALE WELDING NIPPLES

MALZEME KODU MATERIAL CODE	DİŞ ÖLÇÜSÜ THREAD SIZE	B	ØD
RK-1319-REK	R1/4-19	25	7
RK-1719-REK	R3/8-19	27	8.5
RK-2114-REK	R1/2-14	30	12
RK-2614-REK	R3/4-14	32	15
RK-3311-REK	R1"-11	35	20
RK-4211-REK	R1"1/4-11	40	26.5
RK-4811-REK	R1"1/2-11	44	31
RK-6011-REK	R2"-11	45	40
RK-7511-REK	R2"1/2-11	45	56.5



HYDRAULIC FITTINGS

BSP SHORT TYPE REDUCERS



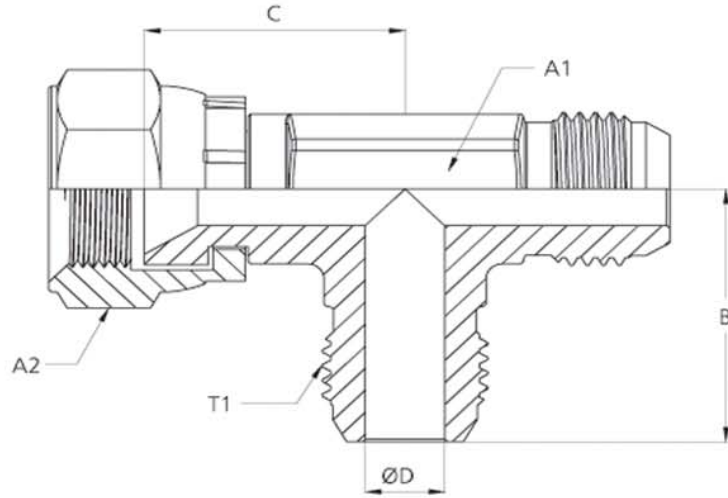
BSP KISA TIP REDİKSİYONLAR / BSP SHORT TYPE REDUCTIONS

MALZEME KODU MATERIAL CODE	DİŞ ÖLÇÜSÜ THREAD SIZE T1	DİŞ ÖLÇÜSÜ THREAD SIZE T2	B	C	AA
RK-1310-KRD	R1/4-19	R1/8-28	19	11	19
RK-1713-KRD	R3/8-19	R1/4-19	21	12	22
RK-2117-KRD	R1/2-14	R3/8-19	23	13	27
RK-2113-KRD	R1/2-14	R1/4-19	23	13	27
RK-2621-KRD	R3/4-14	R1/2-14	27	15	32
RK-2617-KRD	R3/4-14	R3/8-19	26	15	32
RK-3326-KRD	R1"-11	R3/4-14	30	18	41
RK-3321-KRD	R1"-11	R1/2-14	29	18	41
RK-4233-KRD	R1"1/4-11	R1"-11	33.5	20	50
RK-4226-KRD	R1"1/4-11	R3/4-14	33.5	20	50
RK-4842-KRD	R1"1/2-11	R1"1/4-11	36	22	55



HYDRAULIC FITTINGS

UNF SIDE-LEG TEE

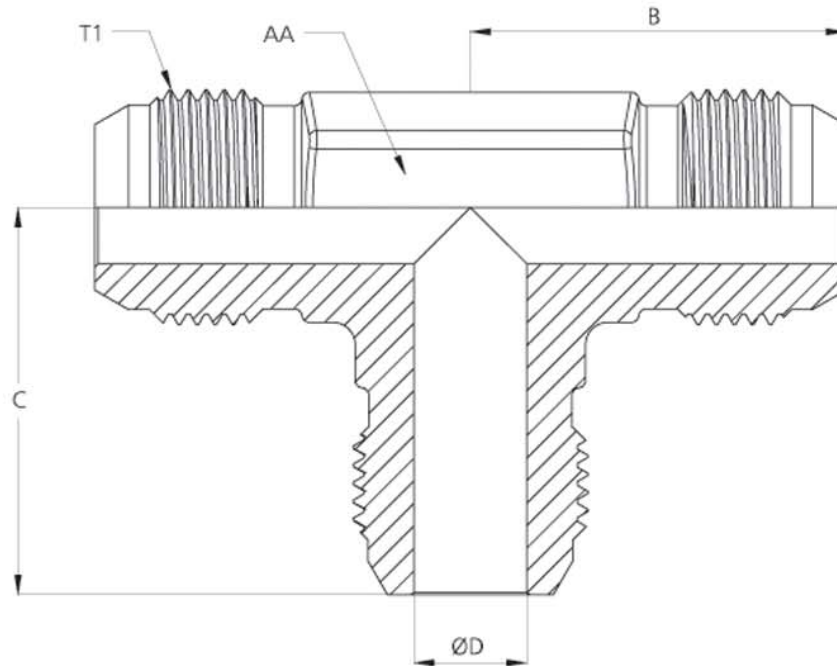


UNF YANBACAK TEE / UNF SIDE-LEG TEE						
MALZEME KODU MATERIAL CODE	DİŞ ÖLÇÜSÜ THREAD SIZE T1	C	B	ØD	A1	A2
RK-1111-WYT	7/16-20 UNF	19.5	20	4.5	12	16
RK-1212-WYT	1/2-20 UNF	23	23.5	5.5	14	17
RK-1414-WYT	9/16-18 UNF	24.5	25	6.5	17	19
RK-1616-WYT	5/8-18 UNF	24.5	25	7.5	17	21
RK-1919-WYT	3/4-16 UNF	29.5	30	9	17	24
RK-2222-WYT	7/8-14 UNF	33	33.5	11	24	27
RK-2727-WYT	1"1/16-12 UNF	37	38	15	24	32
RK-3333-WYT	1"5/16-12 UNF	42	43	20	36	41



HYDRAULIC FITTINGS

UNF TEE

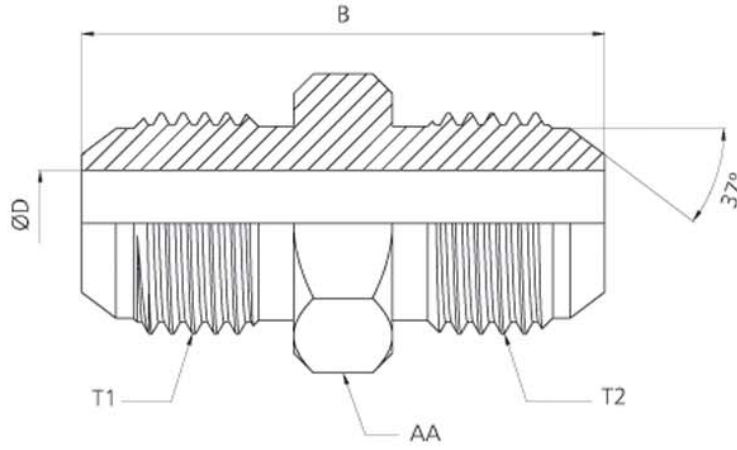


UNF TEE / UNF TEE					
MALZEME KODU MATERIAL CODE	DIŞ ÖLÇÜSÜ THREAD SIZE T1	B	C	ØD	AA
RK-1111-WT	7/16-20 UNF	20	20	4.5	12
RK-1212-WT	1/2-20 UNF	23.5	23	5.5	14
RK-1414-WT	9/16-18 UNF	25	25	6.5	17
RK-1616-WT	5/8-18 UNF	25	25	7.5	17
RK-1919-WT	3/4-16 UNF	30	30	9	17
RK-2222-WT	7/8-14 UNF	33.5	33.5	11	24
RK-2727-WT	1"1/16-12 UNF	38	38	15	24
RK-3333-WT	1"5/16-12 UNF	43	43	20	36



HYDRAULIC FITTINGS

UNF - UNF EXTENSION NIPPLES

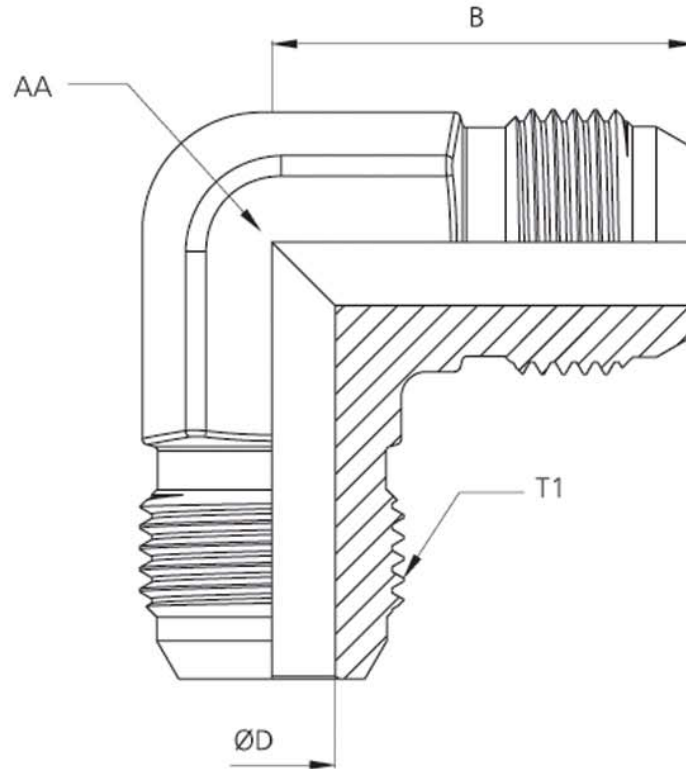


UNF-UNF ARA NİPELLER / UNF-UNF EXTENSION NIPPLES					
MALZEME KODU MATERIAL CODE	DIŞ ÖLÇÜSÜ THREAD SIZE T1	DIŞ ÖLÇÜSÜ THREAD SIZE T2	B	ØD	AA
RK-1111-WWN	7/16-20	7/16-20	34	4.5	12
RK-1313-WWN	1/2-20	1/2-20	34.5	5.5	14
RK-1414-WWN	9/16-18	9/16-18	35	6.5	17
RK-1616-WWN	5/8-18	5/8-18	39	7.5	17
RK-1919-WWN	3/4-16	3/4-16	42	9	19
RK-2222-WWN	7/8-14	7/8-14	48	11	24
RK-2727-WWN	1"1/16-12	1"1/16-12	55	15	27
RK-3333-WWN	1"5/16-12	1"5/16-12	59	20	36
RK-4141-WWN	1"5/8-12	1"5/8-12	62	26	46



HYDRAULIC FITTINGS

UNF ELBOWS



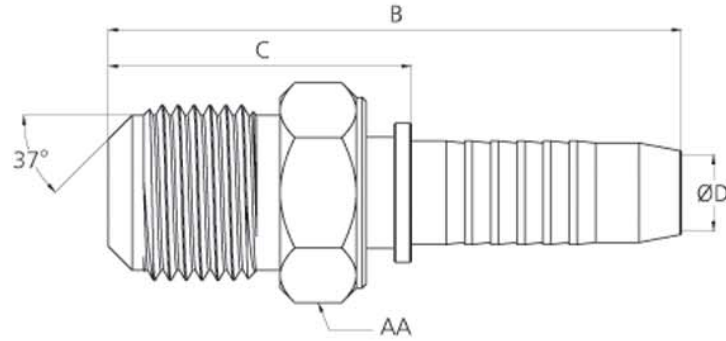
UNF DİRSEKLER / ORFS ELBOWS

MALZEME KODU MATERIAL CODE	DİŞ ÖLÇÜSÜ THREAD SIZE T1	B	ØD	AA
RK-1111-WD	7/16-20 UNF	20	4.5	12
RK-1212-WD	1/2-20 UNF	23.5	5.5	14
RK-1414-WD	9/16-18 UNF	25	6.5	17
RK-1616-WD	5/8-18 UNF	25	7.5	17
RK-1919-WD	3/4-16 UNF	30	9	17
RK-2222-WD	7/8-14 UNF	33.5	11	24
RK-2727-WD	1"1/16-12 UNF	38	15	24
RK-3333-WD	1"5/16-12 UNF	43	20	36



HYDRAULIC FITTINGS

UNF MALE HOSE FITTINGS

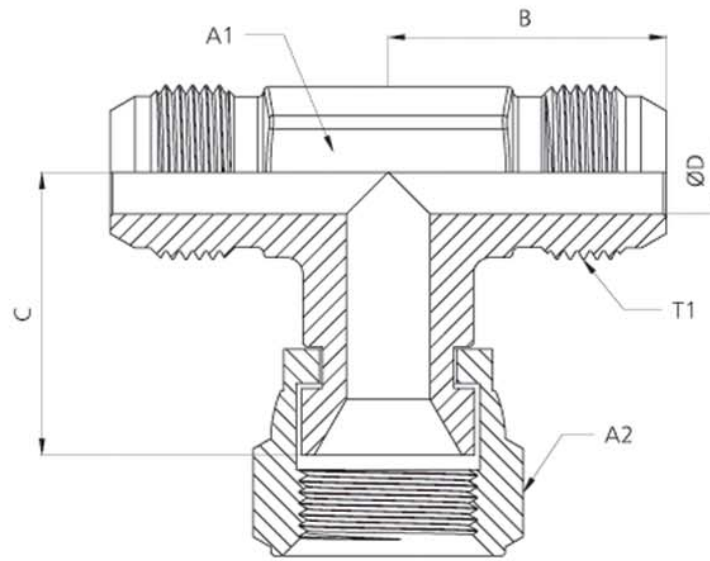


UNF ERKEK HORTUM REKORLARI / UNF MALE HOSE FITTINGS							
MALZEME KODU MATERIAL CODE	HORTUM ÖLÇÜSÜ HOSE SIZE		DIŞ ÖLÇÜSÜ THREAD SIZE	B	C	ØD	AA
	mm	inch					
RK-0511-WE	05	3/16	7/16-20	45.5	24.5	3.5	12
RK-0611-WE	06	1/4	7/16-20	50	25	4	12
RK-0612-WE	06	1/4	1/2-20	51	26	4	13
RK-0812-WE	08	5/16	1/2-20	53	26	5.5	13
RK-0614-WE	06	1/4	9/16-18	51.5	26.5	4	14
RK-0814-WE	08	5/16	9/16-18	53.5	26.5	5.5	14
RK-0816-WE	08	5/16	5/8-18	56	29	5.5	17
RK-1014-WE	10	3/8	9/16-18	56.5	26.5	7	14
RK-1016-WE	10	3/8	5/8-18	59	29	7	17
RK-1019-WE	10	3/8	3/4-16	60.5	30.5	7	19
RK-1319-WE	12	1/2	3/4-16	64	31	9	19
RK-1322-WE	12	1/2	7/8-14	67.5	34.5	9	22
RK-1622-WE	16	5/8	7/8-14	75.5	35.5	12	22
RK-1627-WE	16	5/8	1"1/16-12	79.5	39.5	12	27
RK-1927-WE	19	3/4	1"1/16-12	84	40	14	27



HYDRAULIC FITTINGS

UNF MID-LEG TEE

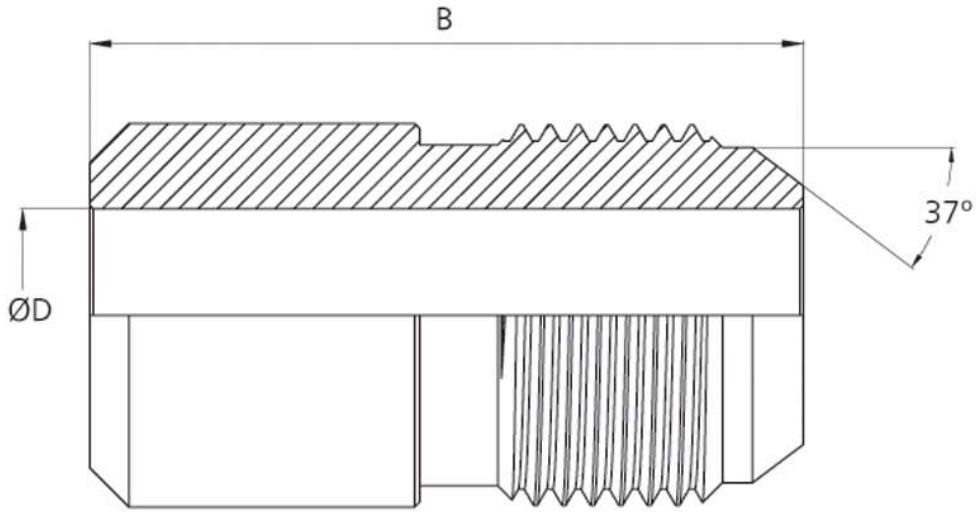


UNF ORTABACAK TEE / UNF MID-LEG TEE						
MALZEME KODU MATERIAL CODE	DIŞ ÖLÇÜSÜ THREAD SIZE T1	B	C	ØD	A1	A2
RK-1111-WOT	7/16-20 UNF	20	19.5	4.5	12	16
RK-1212-WOT	1/2-20 UNF	23.5	23	5.5	14	17
RK-1414-WOT	9/16-18 UNF	25	24.5	6.5	17	19
RK-1616-WOT	5/8-18 UNF	25	24.5	7.5	17	21
RK-1919-WOT	3/4-16 UNF	30	29.5	9	17	24
RK-2222-WOT	7/8-14 UNF	33.5	33	11	24	27
RK-2727-WOT	1"1/16-12 UNF	38	37	15	24	32
RK-3333-WOT	1"5/16-12 UNF	43	42	20	36	41



HYDRAULIC FITTINGS

UNF NIPPLES FOR WELDING

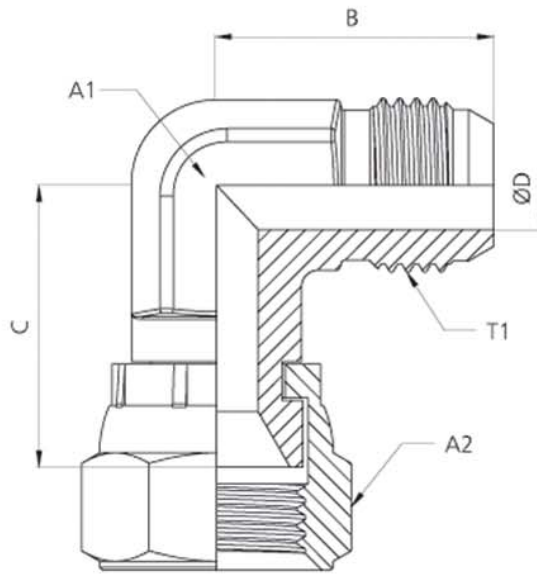


UNF KAYNAK NİPELLERİ / UNF WELDING NIPPLES			
MALZEME KODU MATERIAL CODE	DİŞ ÖLÇÜSÜ THREAD SIZE	B	ØD
RK-1218-WKN	1/2-20	28.5	5.5
RK-1418-WKN	9/16-18	33	6.5
RK-1618-WKN	5/8-18	35	7.5
RK-1916-WKN	3/4-16	40	9
RK-2214-WKN	7/8-14	40	11
RK-2712-WKN	1"1/16-12	50	15



HYDRAULIC FITTINGS

UNF REVERSE ELBOWS

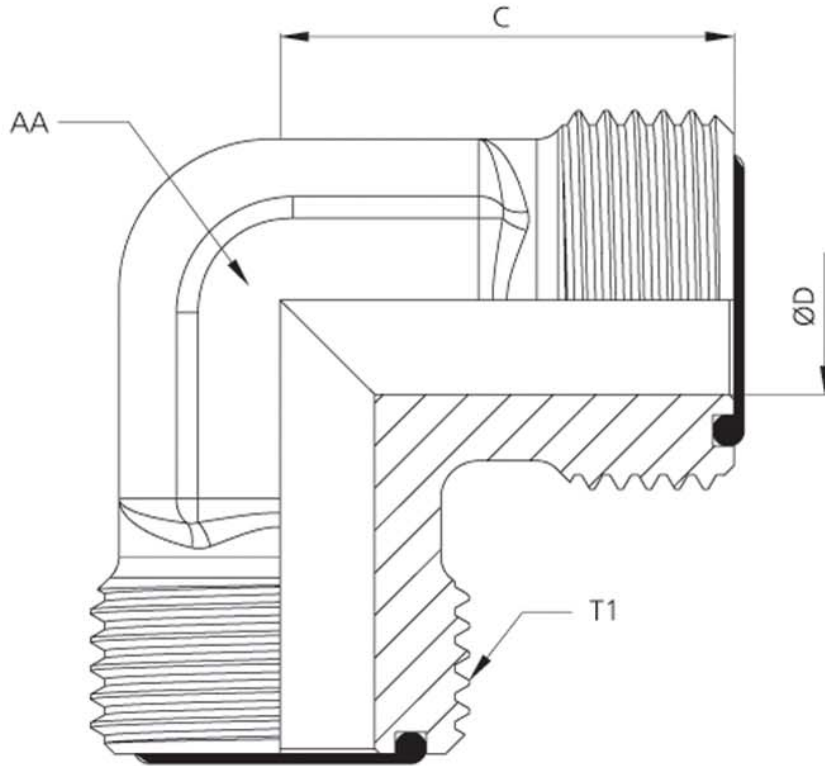


UNF TERS DİRSEKLER / UNF REVERSE ELBOWS						
MALZEME KODU MATERIAL CODE	DIŞ ÖLÇÜSÜ THREAD SIZE T1	B	C	ØD	A1	A2
RK-1111-WTD	7/16-20 UNF	20	20	4.5	12	16
RK-1212-WTD	1/2-20 UNF	25	22	5.5	14	17
RK-1414-WTD	9/16-18 UNF	26	23	6.5	17	19
RK-1616-WTD	5/8-18 UNF	27.5	24	7.5	17	21
RK-1919-WTD	3/4-16 UNF	30	29.5	9	17	24
RK-2222-WTD	7/8-14 UNF	35	33	11	24	27
RK-2727-WTD	1"1/16-12 UNF	36.5	31.5	15	24	32
RK-3333-WTD	1"5/16-12 UNF	43	43	20	36	41



HYDRAULIC FITTINGS

ORFS ELBOWS



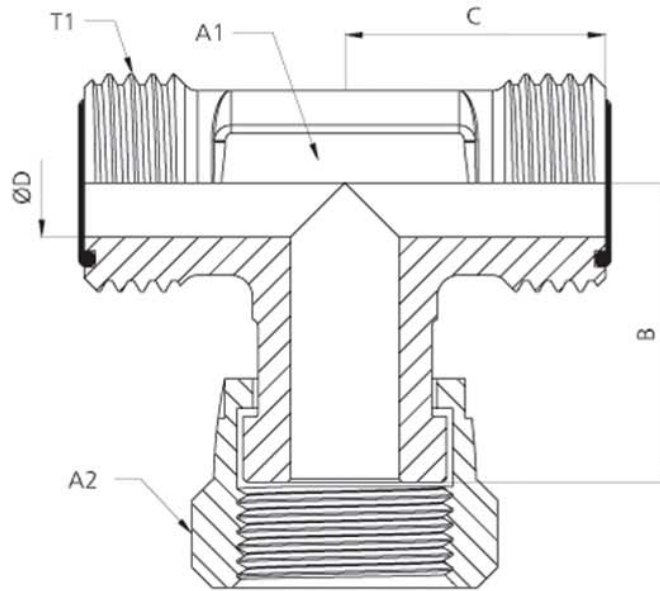
ORFS DİRSEKLER / ORFS ELBOWS

MALZEME KODU MATERIAL CODE	DİŐ ÖLÇÜSÜ THREAD SIZE T1	C	ØD	AA
RK-1414-OD	9/16-18	21	5	12
RK-1717-OD	11/16-16	24	6	17
RK-2121-OD	13/16-16	29	9	17
RK-2525-OD	1"-14	31	12	24
RK-3030-OD	1"3/16-12	37	15	27
RK-3737-OD	1"7/16-12	42	19	36



HYDRAULIC FITTINGS

ORFS MID-LEG TEE

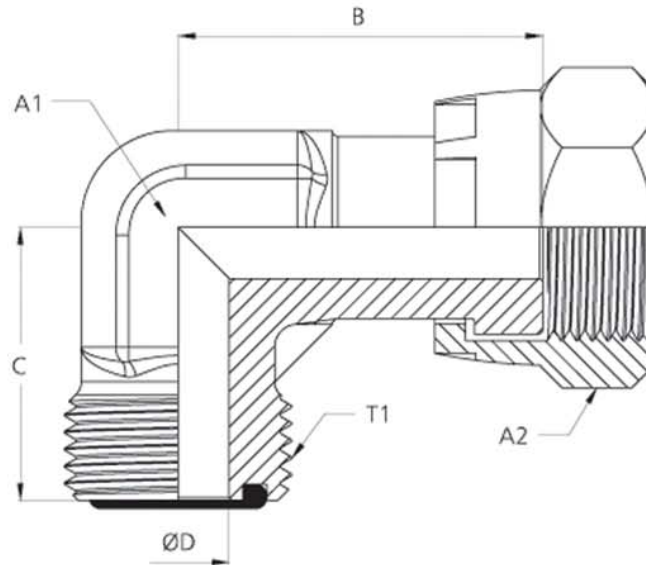


ORFS ORTABACAK TEE / ORFS MID-LEG TEE						
MALZEME KODU MATERIAL CODE	DIŞ ÖLÇÜSÜ THREAD SIZE T1	C	B	ØD	A1	A2
RK-1414-OOT	9/16-18	21	24	5	12	19
RK-1717-OOT	11/16-16	24	27	6	17	22
RK-2121-OOT	13/16-16	29	29.5	9	17	24
RK-2525-OOT	1"-14	31	36	12	24	30
RK-3030-OOT	1"3/16-12	37	42	15	27	36
RK-3737-OOT	1"7/16-12	42	45.5	19	36	41



HYDRAULIC FITTINGS

ORFS REVERSE ELBOWS



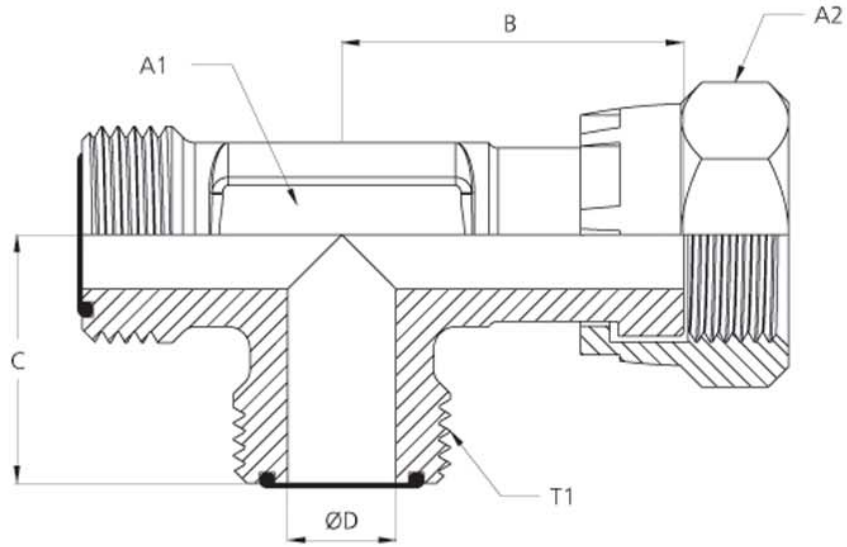
ORFS TERS DİRSEKLER / ORFS REVERSE ELBOWS

MALZEME KODU MATERIAL CODE	DIŞ ÖLÇÜSÜ THREAD SIZE T1	B	C	ØD	A1	A2
RK-1414-OTD	9/16-18	24	21	5	12	19
RK-1717-OTD	11/16-16	27	24	6	17	22
RK-2121-OTD	13/16-16	29.5	29	9	17	24
RK-2525-OTD	1"-14	36	31	12	24	30
RK-3030-OTD	1"3/16-12	42	37	15	27	36
RK-3737-OTD	1"7/16-12	45.5	42	19	36	41



HYDRAULIC FITTINGS

ORFS SIDE-LEG TEE

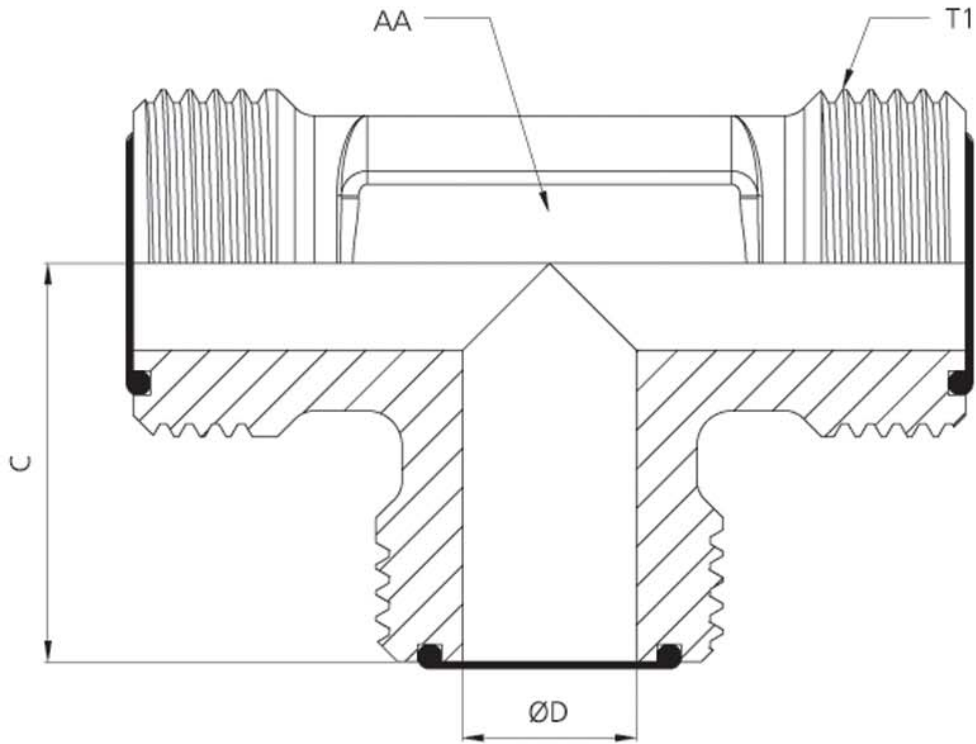


ORFS YANBACAĞ TEE / ORFS SIDE-LEG TEE						
MALZEME KODU MATERIAL CODE	DİŐ ÖLÇÜŐÜ THREAD SIZE T1	B	C	ØD	A1	A2
RK-1414-OYT	9/16-18	24	21	5	12	19
RK-1717-OYT	11/16-16	27	24	6	17	22
RK-2121-OYT	13/16-16	29.5	29	9	17	24
RK-2525-OYT	1"-14	36	31	12	24	30
RK-3030-OYT	1 3/16-12	42	37	15	27	36
RK-3737-OYT	1 7/16-12	45.5	42	19	36	41



HYDRAULIC FITTINGS

ORFS TEE

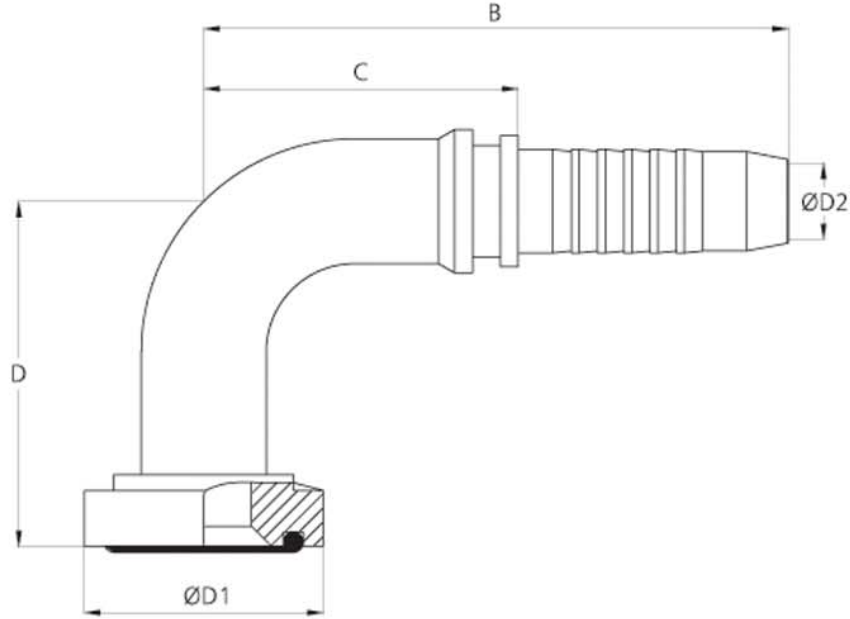


ORFS TEE / ORFS TEE				
MALZEME KODU MATERIAL CODE	DİŐ ÖLÇÜŐÜ THREAD SIZE T1	C	ØD	AA
RK-1414-OT	9/16-18	21	5	12
RK-1717-OT	11/16-16	24	6	17
RK-2121-OT	13/16-16	29	9	17
RK-2525-OT	1"-14	31	12	24
RK-3030-OT	1"3/16-12	37	15	27
RK-3737-OT	1"7/16-12	42	19	36



HYDRAULIC FITTINGS

FLANGED 90 HOSE FITTINGS 3000 SERIES



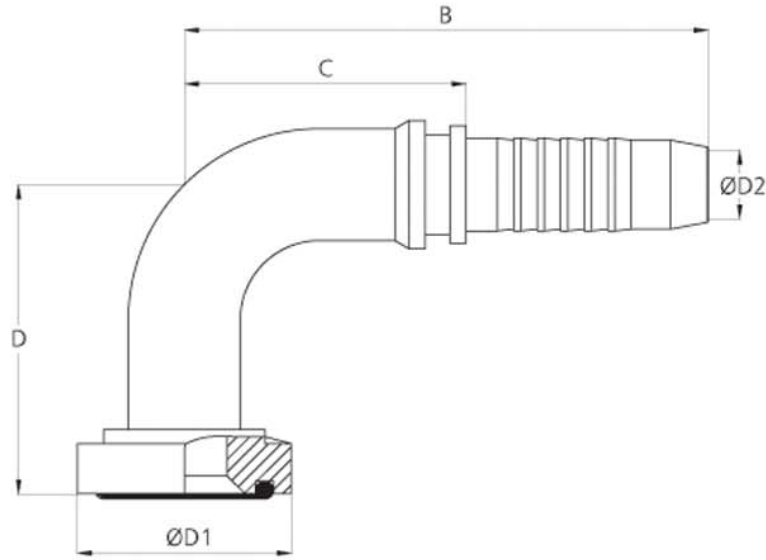
FLANŞLI 90° HORTUM REKORLARI 3000 SERİSİ / FLANGED 90° HOSE FITTINGS 3000 SERIES

MALZEME KODU MATERIAL CODE	HORTUM ÖLÇÜSÜ HOSE SIZE		FLANŞ ÖLÇÜSÜ FLANGE SIZE ØD1	B	C	D	ØD2
	mm	inch					
RK-133007-FL90	12	1/2	30,2	72	39	40	9
RK-133807-FL90	12	1/2	38,1	72	39	40	9
RK-163807-FL90	16	5/8	38,1	90	50	50	11
RK-193807-FL90	19	3/4	38,1	105	61	55	14
RK-194408-FL90	19	3/4	44,4	105	61	55	14
RK-253807-FL90	25	1"	38,1	135	81	65	19
RK-254408-FL90	25	1"	44,4	135	81	65	19
RK-255108-FL90	25	1"	50,8	135	81	65	19
RK-256008-FL90	25	1"	60,3	135	81	65	19
RK-324408-FL90	32	1"1/4	44,4	155	96	75	25
RK-325108-FL90	32	1"1/4	50,8	155	96	75	25
RK-326008-FL90	32	1"1/4	60,3	155	96	75	25
RK-386008-FL90	38	1"1/2	60,3	170	98	80	29



HYDRAULIC FITTINGS

FLANGED 90 HOSE FITTINGS 6000 SERIES



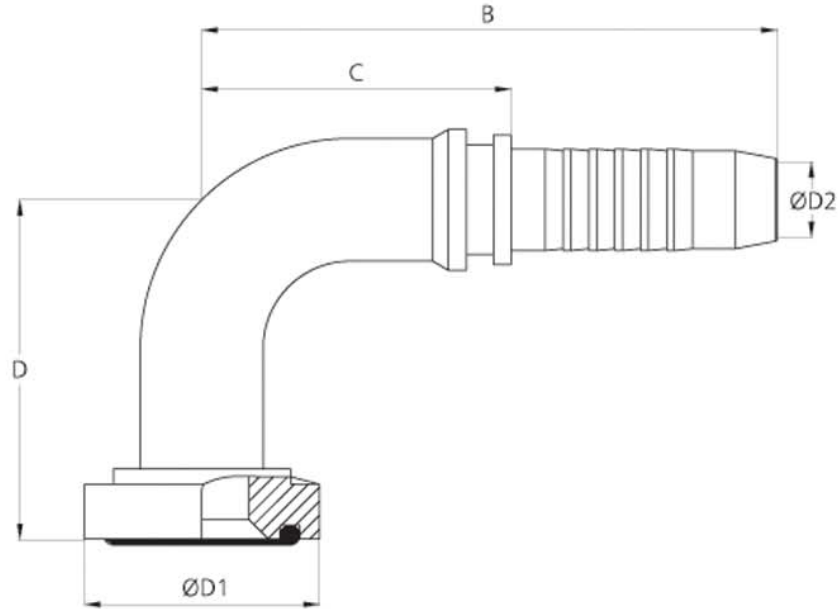
FLANŞLI 90° HORTUM REKORLARI 6000 SERİSİ / FLANGED 90° HOSE FITTINGS 6000 SERIES

MALZEME KODU MATERIAL CODE	HORTUM ÖLÇÜSÜ HOSE SIZE		FLANŞ ÖLÇÜSÜ FLANGE SIZE ØD1	B	C	D	ØD2
	mm	inch					
RK-133208-FL90	12	1/2	32	73	40	45	9
RK-133408-FL90	12	1/2	34,1	73	40	45	9
RK-134110-FL90	12	1/2	41,3	73	40	45	9
RK-163208-FL90	16	5/8	32	90	50	50	11
RK-163408-FL90	16	5/8	34,1	90	50	50	11
RK-164110-FL90	16	5/8	41,3	90	50	50	11
RK-194110-FL90	19	3/4	41,3	105	61	59	14
RK-194810-FL90	19	3/4	47,6	105	61	59	14
RK-254110-FL90	25	1"	41,3	135	81	65	19
RK-254810-FL90	25	1"	47,6	135	81	65	19
RK-255410-FL90	25	1"	54	135	81	65	19
RK-324810-FL90	32	1 1/4	47,6	155	96	75	25
RK-325410-FL90	32	1 1/4	54	155	96	75	25
RK-326314-FL90	32	1 1/4	63,5	155	96	80	25



HYDRAULIC FITTINGS

FLANGED 90 HOSE FITTINGS
THICK TYPE



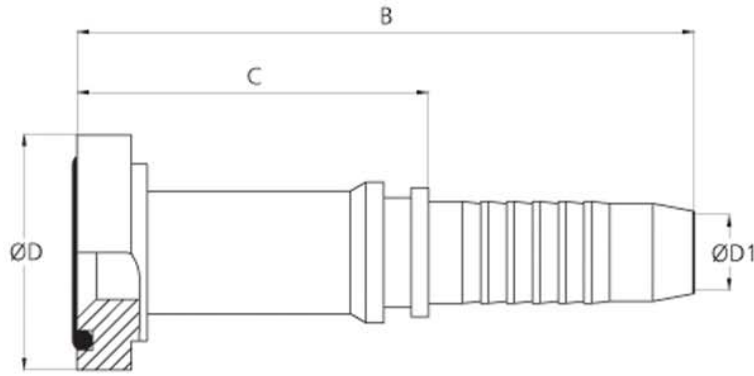
FLANŞLI 90° HORTUM REKORLARI KALIN TİP / FLANGED 90° HOSE FITTINGS, THICK TYPE

MALZEME KODU MATERIAL CODE	HORTUM ÖLÇÜSÜ HOSE SIZE		FLANŞ ÖLÇÜSÜ FLANGE SIZE ØD1	B	C	D	ØD2
	mm	inch					
RK-194110-KFL90	19	3/4	41,3	105	61	56	14
RK-254814-KFL90	25	1"	47,6	137	83	67	19
RK-255414-KFL90	25	1"	54	137	83	67	19
RK-256314-KFL90	25	1"	63,5	137	83	80	19
RK-324814-KFL90	32	1"1/4	47,6	155	96	80	25
RK-325414-KFL90	32	1"1/4	54	155	96	80	25
RK-326314-KFL90	32	1"1/4	63,5	155	96	80	25



HYDRAULIC FITTINGS

FLANGED FLAT HOSE FITTINGS 3000 SERIES



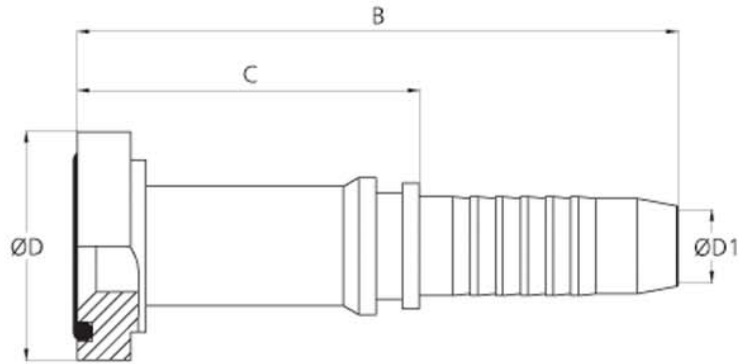
FLANŞLI DÜZ HORTUM REKORLARI 3000 SERİSİ / FLANGED FLAT HOSE FITTINGS 3000 SERIES

MALZEME KODU MATERIAL CODE	HORTUM ÖLÇÜSÜ HOSE SIZE		FLANŞ ÖLÇÜSÜ FLANGE SIZE ØD	B	C	ØD1
	mm	inch				
RK-133007-FLD	12	1/2	30,2	82,5	49,5	9
RK-133807-FLD	12	1/2	38,1	82,5	49,5	9
RK-163807-FLD	16	5/8	38,1	102	62	12
RK-193807-FLD	19	3/4	38,1	105	61	14
RK-194408-FLD	19	3/4	44,4	107	63	14
RK-253807-FLD	25	1"	38,1	116	62	19
RK-254408-FLD	25	1"	44,4	116	62	19
RK-255108-FLD	25	1"	50,8	116	62	19
RK-256008-FLD	25	1"	60,3	116	62	19
RK-324408-FLD	32	1"1/4	44,4	132	73	25
RK-325108-FLD	32	1"1/4	50,8	135	76	25
RK-326008-FLD	32	1"1/4	60,3	128	69	25
RK-386008-FLD	38	1"1/2	60,3	147	75	29
RK-387110-FLD	38	1"1/2	71,4	147	75	29



HYDRAULIC FITTINGS

FLANGED FLAT HOSE FITTINGS 6000 SERIES



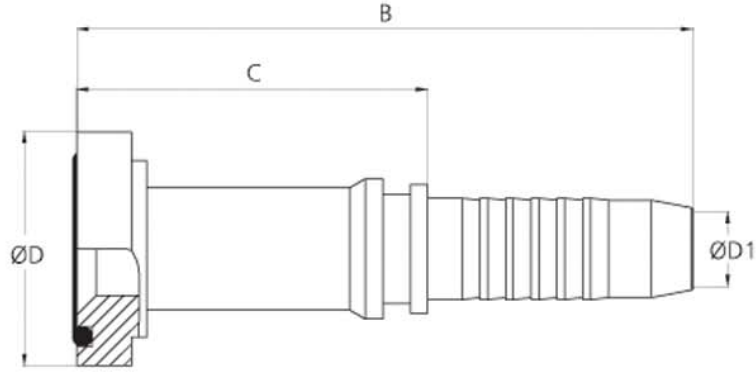
FLANŞLI DÜZ HORTUM REKORLARI 6000 SERİSİ / FLANGED FLAT HOSE FITTINGS 6000 SERIES

MALZEME KODU MATERIAL CODE	HORTUM ÖLÇÜSÜ HOSE SIZE		FLANŞ ÖLÇÜSÜ FLANGE SIZE ØD	B	C	ØD1
	mm	inch				
RK-133208-FLD	12	1/2	32	83	50	9
RK-133408-FLD	12	1/2	34,1	85,5	52,5	9
RK-134110-FLD	12	1/2	41,3	88,5	55,5	9
RK-163208-FLD	16	5/8	32	94,5	54,5	12
RK-163408-FLD	16	5/8	34,1	96,5	56,5	12
RK-164110-FLD	16	5/8	41,3	100	60	12
RK-194110-FLD	19	3/4	41,3	105,5	61,5	14
RK-194810-FLD	19	3/4	47,6	106,5	62,5	14
RK-254110-FLD	25	1"	41,3	117,5	63,5	19
RK-254810-FLD	25	1"	47,6	118	64	19
RK-255410-FLD	25	1"	54	124,5	70,5	19
RK-324810-FLD	32	1"1/4	47,6	128	68,5	25
RK-325410-FLD	32	1"1/4	54	131	71,5	25
RK-326314-FLD	32	1"1/4	63,5	135	75,5	25



HYDRAULIC FITTINGS

FLANGED FLAT HOSE FITTINGS THICK TYPE



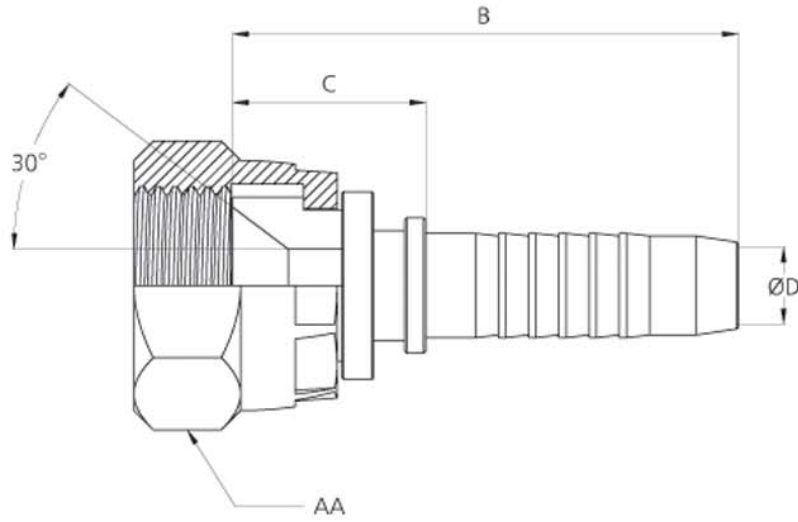
FLANŞLI DÜZ HORTUM REKORLARI KALIN TİP / FLANGED FLAT HOSE FITTINGS, THICK TYPE

MALZEME KODU MATERIAL CODE	HORTUM ÖLÇÜSÜ HOSE SIZE		FLANŞ ÖLÇÜSÜ FLANGE SIZE ØD	B	C	ØD1
	mm	inch				
RK-194110-KFLD	19	3/4	41,3	103	59	14
RK-254814-KFLD	25	1"	47,6	123	69	19
RK-255414-KFLD	25	1"	54	124,5	70,5	19
RK-256314-KFLD	25	1"	63,5	130	76	19
RK-324814-KFLD	32	1"1/4	47,6	128	69	25
RK-325414-KFLD	32	1"1/4	54	134	75	25
RK-326314-KFLD	32	1"1/4	63,5	135	76	25



HYDRAULIC FITTINGS

FLAT HOSE FITTINGS
WITH METRIC INTERNAL COUNTERSUNK

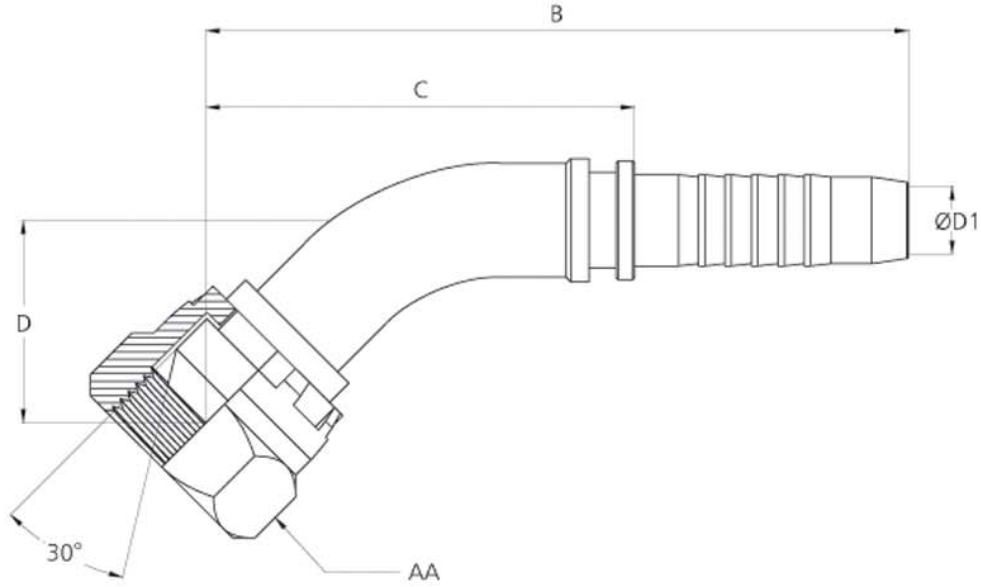


METRİK İÇE HAVŞA DÜZ HORTUM REKORLARI / FLAT HOSE FITTINGS WITH METRIC INTERNAL COUNTERSUNK							
MALZEME KODU MATERIAL CODE	HORTUM ÖLÇÜSÜ HOSE SIZE		SOMUN ÖLÇÜSÜ NUT SIZE	B	C	ØD	AA
	mm	inch					
RK-0614-MİSD	06	1/4	M14x1,5	40.5	15.5	4	19
RK-0814-MİSD	08	5/16	M14x1,5	42.5	15.5	5.5	19
RK-0818-MİSD	08	5/16	M18x1,5	44.5	17.5	5.5	22
RK-1018-MİSD	10	3/8	M18x1,5	47.5	17.5	7	22
RK-1322-MİSD	12	1/2	M22x1,5	53	20	9	27
RK-1324-MİSD	12	1/2	M24x1,5	54	21	9	30
RK-1624-MİSD	16	5/8	M24x1,5	61.5	21.5	12	30
RK-1930-MİSD	19	3/4	M30x1,5	70	26	14	36
RK-2533-MİSD	25	1"	M33x1,5	86	32	19	41
RK-3236-MİSD	32	1"1/4	M36x1,5	93.5	34.5	22	46



HYDRAULIC FITTINGS

HOSE FITTINGS 45 WITH BSP NUT



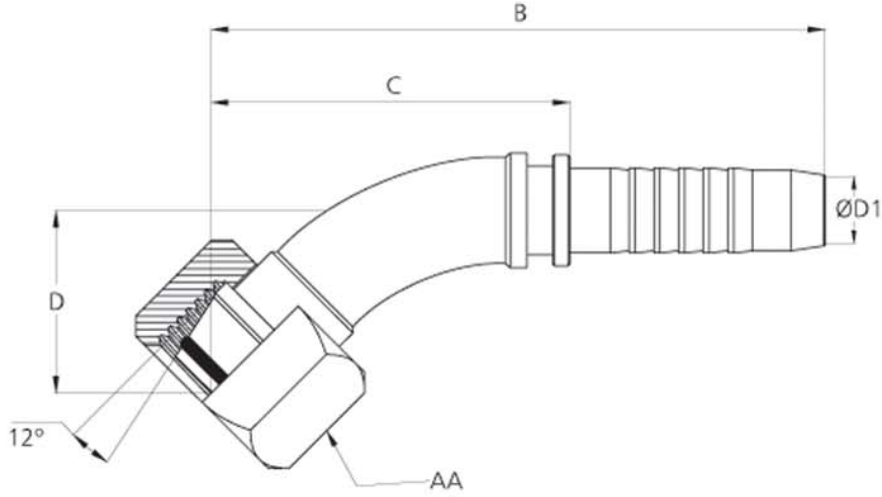
BSP SOMUNLU 45° HORTUM REKORLARI / 45° HOSE FITTINGS WITH BSP NUT

MALZEME KODU MATERIAL CODE	HORTUM ÖLÇÜSÜ HOSE SIZE		SOMUN ÖLÇÜSÜ NUT SIZE	B	C	D	ØD1	AA
	mm	inch						
RK-0510-RS45	05	3/16	R1/8-28	56	35	14	3.5	14
RK-0513-RS45	05	3/16	R1/4-19	56	42	17	3.5	17
RK-0610-RS45	06	1/4	R1/8-28	59	34	15	4	14
RK-0613-RS45	06	1/4	R1/4-19	62	37	17	4	17
RK-0617-RS45	06	1/4	R3/8-19	65	44	18	4	22
RK-0621-RS45	06	1/4	R1/2-14	67	42	20	4	27
RK-0813-RS45	08	5/16	R1/4-19	70	43	18	5.5	17
RK-0817-RS45	08	5/16	R3/8-19	70	51	20	5.5	22
RK-0821-RS45	08	5/16	R1/2-14	73	46	21	5.5	27
RK-1017-RS45	10	3/8	R3/8-19	78	50	21	7	22
RK-1021-RS45	10	3/8	R1/2-14	80	50	25	7	27
RK-1317-RS45	12	1/2	R3/8-19	90	58	23	9	22
RK-1321-RS45	12	1/2	R1/2-14	90	58	25	9	27
RK-1623-RS45	16	5/8	R5/8-14	108	68	30	11	30
RK-1626-RS45	16	5/8	R3/4-14	110	70	30	11	32
RK-1926-RS45	19	3/4	R3/4-14	120	81	30	14	32
RK-2533-RS45	25	1"	R1"-11	160	106	35	19	41
RK-3242-RS45	32	1 1/4"	R1 1/4-11	180	121	40	25	50



HYDRAULIC FITTINGS

HOSE FITTINGS 45 WITH METRIC NUT



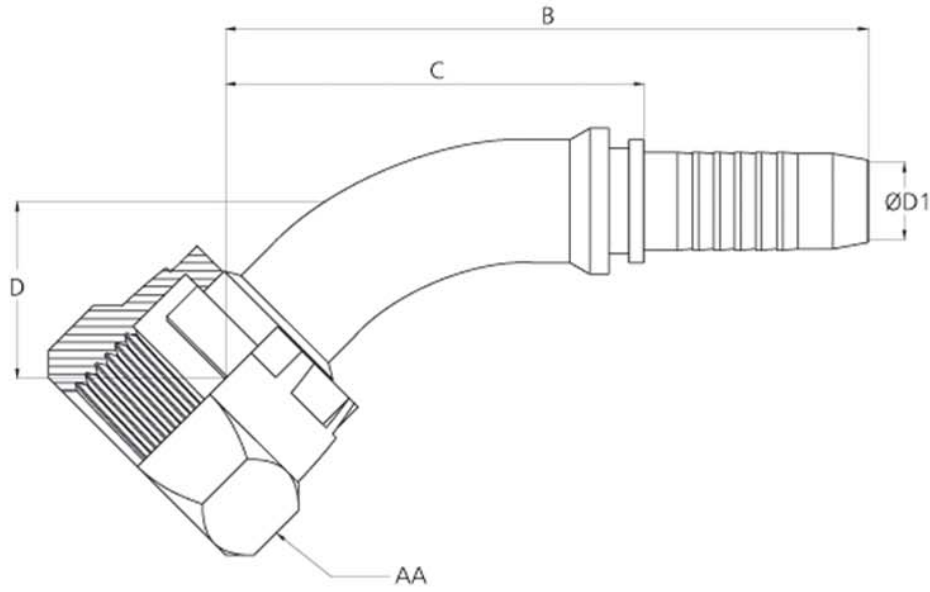
METRİK SOMUNLU 45° HORTUM REKORLARI / 45° HOSE FITTINGS WITH METRIC NUT

MALZEME KODU MATERIAL CODE	HORTUM ÖLÇÜSÜ HOSE SIZE		SOMUN ÖLÇÜSÜ NUT SIZE	B	C	D	ØD1	AA
	mm	inch						
RK-0512-MSO45	05	3/16	M12x1,5	54	33	14	3.5	14
RK-0514-MSO45	05	3/16	M14x1,5	59	38	17	3.5	17
RK-0612-MSO45	06	1/4	M12x1,5	63	38	17	4	17
RK-0614-MSO45	06	1/4	M14x1,5	62	37	17	4	17
RK-0616-MSO45	06	1/4	M16x1,5	65	40	17	4	19
RK-0814-MSO45	08	5/16	M14x1,5	70	43	18	5.5	19
RK-0816-MSO45	08	5/16	M16x1,5	68	41	18	5.5	19
RK-0818-MSO45	08	5/16	M18x1,5	70	43	18	5.5	22
RK-1016-MSO45	10	3/8	M16x1,5	79	49	24	7	21
RK-1018-MSO45	10	3/8	M18x1,5	79	49	21	7	22
RK-1020-MSO45	10	3/8	M20x1,5	80	50	21	7	24
RK-1022-MSO45	10	3/8	M22x1,5	81	50	24	7	27
RK-1024-MSO45	10	3/8	M24x1,5	82	52	24	7	30
RK-1318-MSO45	12	1/2	M18x1,5	93	60	27	9	22
RK-1322-MSO45	12	1/2	M22x1,5	92	59	25	9	27
RK-1324-MSO45	12	1/2	M24x1,5	93	60	27	9	30
RK-1626-MSO45	16	5/8	M26x1,5	108	68	28	11	32
RK-1630-MSO45	16	5/8	M30x2	110	70	28	11	36
RK-1930-MSO45	19	3/4	M30x2	125	81	28	14	36
RK-1936-MSO45	19	3/4	M36x2	130	86	29	14	46
RK-2536-MSO45	25	1"	M36x2	155	101	40	19	46
RK-2542-MSO45	25	1"	M42x2	155	101	40	19	50
RK-2545-MSO45	25	1"	M45x2	155	101	40	19	50
RK-3245-MSO45	32	1 1/4	M45x2	175	116	43	25	50
RK-3252-MSO45	32	1 1/4	M52x2	175	116	50	25	60



HYDRAULIC FITTINGS

HOSE FITTINGS 45 WITH ORFS NUT



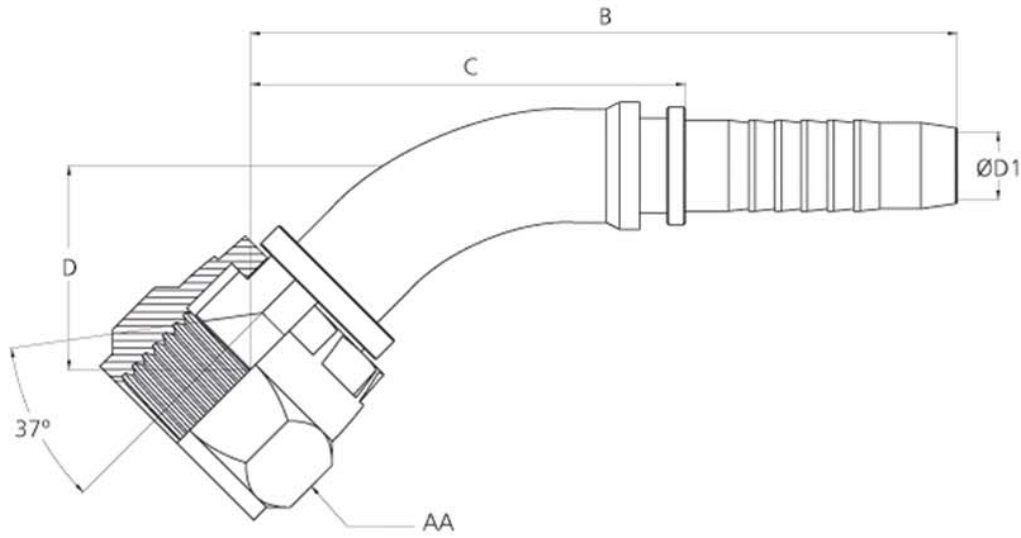
ORFS SOMUNLU 45° HORTUM REKORLARI / 45° HOSE FITTINGS WITH ORFS NUT

MALZEME KODU MATERIAL CODE	HORTUM ÖLÇÜSÜ HOSE SIZE		SOMUN ÖLÇÜSÜ NUT SIZE	B	C	D	ØD1	AA
	mm	inch						
RK-0614-OS45	06	1/4	9/16-18	60	41	13	4	19
RK-0617-OS45	06	1/4	11/16-16	65	48	16	4	22
RK-0814-OS45	08	5/16	9/16-18	68	41	13	5.5	19
RK-0817-OS45	08	5/16	11/16-16	72	51	13	5.5	22
RK-1017-OS45	10	3/8	11/16-16	80	50	16	7	22
RK-1021-OS45	10	3/8	13/16-16	83	53	18	7	24
RK-1321-OS45	12	1/2	13/16-16	89	56	19	9	24
RK-1325-OS45	12	1/2	1"-14	90	57	25	9	30
RK-1625-OS45	16	5/8	1"-14	109	69	25	11	30
RK-1630-OS45	16	5/8	1 3/16-12	113	73	26	11	36
RK-1930-OS45	19	3/4	1 3/16-12	118	72	26	14	36
RK-1937-OS45	19	3/4	1 7/16-12	122	86	30	14	41



HYDRAULIC FITTINGS

HOSE FITTINGS 45 WITH UNF NUT



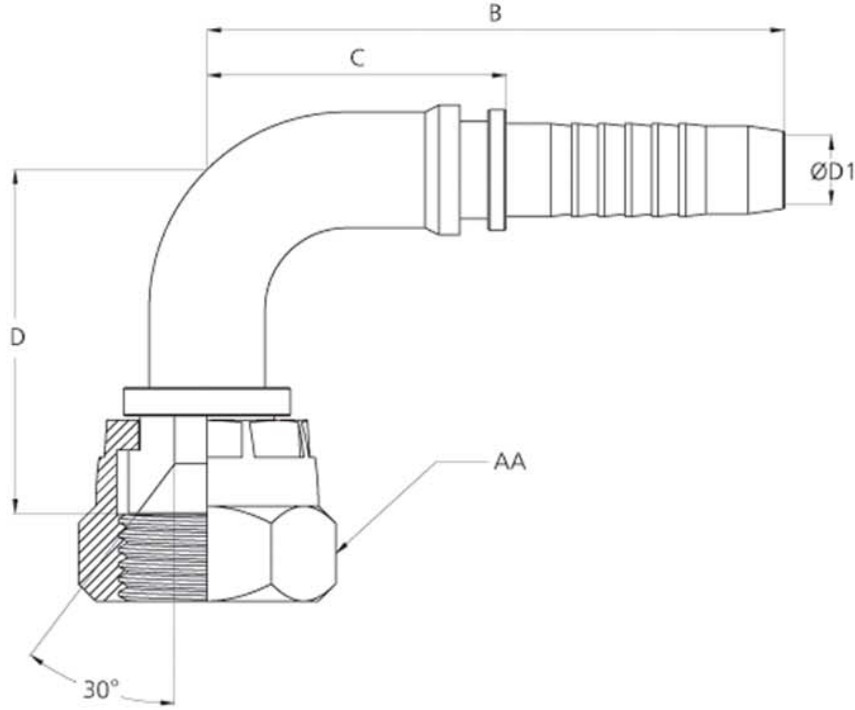
UNF SOMUNLU 45° HORTUM REKORLARI / 45° HOSE FITTINGS WITH UNF NUT

MALZEME KODU MATERIAL CODE	HORTUM ÖLÇÜSÜ HOSE SIZE		SOMUN ÖLÇÜSÜ NUT SIZE	B	C	D	ØD1	AA
	mm	inch						
RK-0511-WS45	05	3/16	7/16-20	52	31	13	3.5	14
RK-0611-WS45	06	1/4	7/16-20	65	40	17	4	16
RK-0612-WS45	06	1/4	1/2-20	60	35	18	4	17
RK-0614-WS45	06	1/4	9/16-18	60	35	18	4	19
RK-0812-WS45	08	5/16	1/2-20	67	40	18	5.5	17
RK-0814-WS45	08	5/16	9/16-18	65	38	18	5.5	19
RK-0816-WS45	08	5/16	5/8-18	65	38	18	5.5	21
RK-1014-WS45	10	3/8	9/16-18	76	46	20	7	19
RK-1016-WS45	10	3/8	5/8-18	76	48	20	7	21
RK-1019-WS45	10	3/8	3/4-16	77	47	18	7	24
RK-1319-WS45	12	1/2	3/4-16	89	57	22	9	24
RK-1322-WS45	12	1/2	7/8-14	89	57	23	9	27
RK-1622-WS45	16	5/8	7/8-14	108	68	23	11	27
RK-1627-WS45	16	5/8	1"1/16-12	103	63	28	11	32
RK-1927-WS45	19	3/4	1"1/16-12	120	81	28	14	32
RK-2533-WS45	25	1"	1"5/16-12	150	96	35	19	41
RK-3241-WS45	32	1"1/4	1"5/8-12	177	118	43	25	50



HYDRAULIC FITTINGS

HOSE FITTINGS 90
WITH BSP INTERNAL COUNTERSUNK



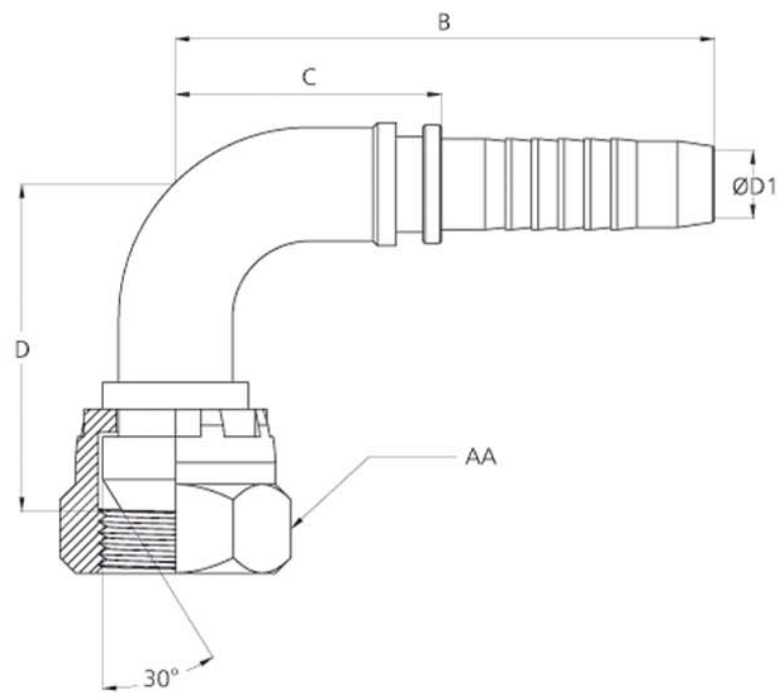
BSP İÇE HAVŞA 90° HORTUM REKORLARI / 90° HOSE FITTINGS WITH BSP INTERNAL COUNTERSUNK

MALZEME KODU MATERIAL CODE	HORTUM ÖLÇÜSÜ HOSE SIZE		SOMUN ÖLÇÜSÜ NUT SIZE	B	C	D	ØD1	AA
	mm	inch						
RK-0613-RİS90	06	1/4	R1/4-19	53	25	26	4	17
RK-0617-RİS90	06	1/4	R3/8-19	53	25	28	4	22
RK-0621-RİS90	06	1/4	R1/2-14	53	25	30	4	27
RK-0817-RİS90	08	5/16	R3/8-19	57	28	29	5.5	22
RK-0821-RİS90	08	5/16	R1/2-14	57	28	32	5.5	27
RK-1017-RİS90	10	3/8	R3/8-19	64	34	33.5	7	22
RK-1021-RİS90	10	3/8	R1/2-14	64	34	34	7	27
RK-1321-RİS90	12	1/2	R1/2-14	73	40	39	9	27
RK-1626-RİS90	16	5/8	R3/4-14	88	52	49	11	32
RK-1926-RİS90	19	3/4	R3/4-14	105	59	53	14	32
RK-2533-RİS90	25	1"	R1"-11	133	79	75	19	41
RK-3242-RİS90	32	1 1/4"	R1 1/4-11	145	96	82.5	25	50



HYDRAULIC FITTINGS

HOSE FITTINGS 90 WITH BSP NUT

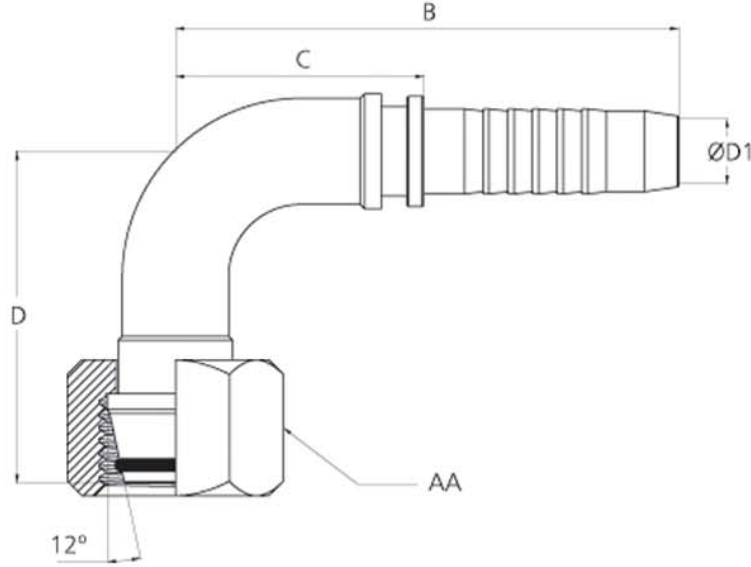


BSP SOMUNLU 90° HORTUM REKORLARI / 90° HOSE FITTINGS WITH BSP NUT								
MALZEME KODU MATERIAL CODE	HORTUM ÖLÇÜSÜ HOSE SIZE		SOMUN ÖLÇÜSÜ NUT SIZE	B	C	D	ØD	AA
	mm	inch						
RK-0510-RS90	05	3/16	R1/8-28	47	26	24	3.5	14
RK-0513-RS90	05	3/16	R1/4-19	47	27	28	3.5	17
RK-0610-RS90	06	1/4	R1/8-28	52	27	26	4	14
RK-0613-RS90	06	1/4	R1/4-19	52	27	28	4	17
RK-0617-RS90	06	1/4	R3/8-19	52	27	32	4	22
RK-0621-RS90	06	1/4	R1/2-14	52	27	35	4	27
RK-0813-RS90	08	5/16	R1/4-19	55	29	32	5.5	17
RK-0817-RS90	08	5/16	R3/8-19	55	29	34	5.5	22
RK-0821-RS90	08	5/16	R1/2-14	55	29	37	5.5	27
RK-1017-RS90	10	3/8	R3/8-19	62	33	37	7	22
RK-1021-RS90	10	3/8	R1/2-14	62	33	40	7	27
RK-1317-RS90	12	1/2	R3/8-19	70	38	40	9	22
RK-1321-RS90	12	1/2	R1/2-14	70	38	45	9	27
RK-1623-RS90	16	5/8	R5/8-14	88	49	52	11	30
RK-1626-RS90	16	5/8	R3/4-14	88	49	57	11	32
RK-1926-RS90	19	3/4	R3/4-14	104	60	57	14	32
RK-2533-RS90	25	1"	R1"-11	130	77	78	19	41
RK-3242-RS90	32	1 1/4"	R1 1/4"-11	145	86	90	25	50
RK-3848-RS90	38	1 1/2"	R1 1/2"-11	167	95	100	29	55



HYDRAULIC FITTINGS

HOSE FITTINGS 90 WITH METRIC NUT



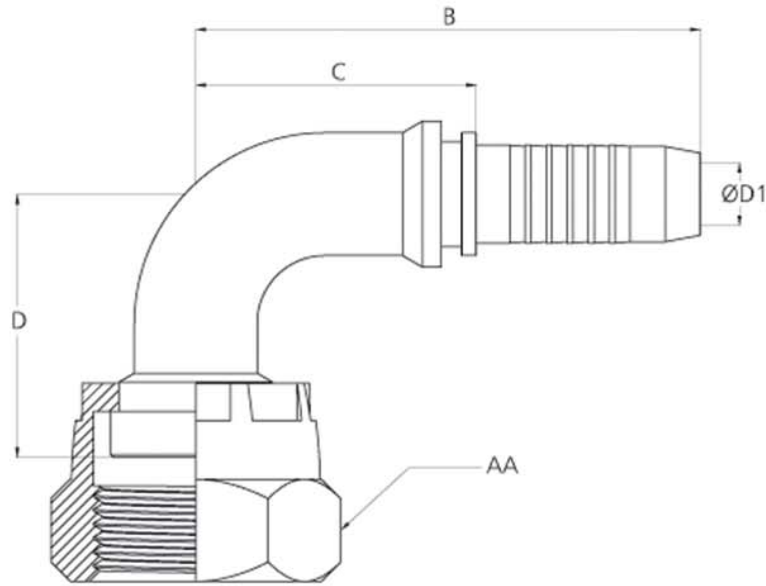
METRİK SOMUNLU 90° HORTUM REKORLARI / 90° HOSE FITTINGS WITH METRIC NUT

MALZEME KODU MATERIAL CODE	HORTUM ÖLÇÜSÜ HOSE SIZE		SOMUN ÖLÇÜSÜ NUT SIZE	B	C	D	ØD1	AA
	mm	inch						
RK-0512-MSO90	05	3/16	M12x1,5	47	26	25	3.5	14
RK-0514-MSO90	05	3/16	M14x1,5	47	27	29	3.5	17
RK-0612-MSO90	06	1/4	M12x1,5	52	27	34	4	17
RK-0614-MSO90	06	1/4	M14x1,5	52	27	29	4	17
RK-0616-MSO90	06	1/4	M16x1,5	52	27	32	4	19
RK-0814-MSO90	08	5/16	M14x1,5	55	29	32	5.5	19
RK-0816-MSO90	08	5/16	M16x1,5	55	29	32	5.5	19
RK-0818-MSO90	08	5/16	M18x1,5	55	29	33	5.5	22
RK-1016-MSO90	10	3/8	M16x1,5	62	33	40	7	21
RK-1018-MSO90	10	3/8	M18x1,5	62	33	35	7	22
RK-1020-MSO90	10	3/8	M20x1,5	62	33	37	7	24
RK-1022-MSO90	10	3/8	M22x1,5	62	33	42	7	27
RK-1024-MSO90	10	3/8	M24x1,5	62	33	43	7	30
RK-1318-MSO90	12	1/2	M18x1,5	70	38	45	9	22
RK-1322-MSO90	12	1/2	M22x1,5	70	38	44	9	27
RK-1324-MSO90	12	1/2	M24x1,5	70	38	45	9	30
RK-1626-MSO90	16	5/8	M26x1,5	88	49	50	11	32
RK-1630-MSO90	16	5/8	M30x2	88	49	52	11	36
RK-1930-MSO90	19	3/4	M30x2	100	57	60	14	36
RK-1936-MSO90	19	3/4	M36x2	100	57	65	14	46
RK-2536-MSO90	25	1"	M36x2	130	77	75	19	46
RK-2542-MSO90	25	1"	M42x2	140	81	75	19	50
RK-2545-MSO90	25	1"	M45x2	130	77	75	19	50
RK-3245-MSO90	32	1"1/4	M45x2	150	90	85	25	50
RK-3252-MSO90	32	1"1/4	M52x2	150	90	86	25	60



HYDRAULIC FITTINGS

HOSE FITTINGS 90 WITH ORFS NUT



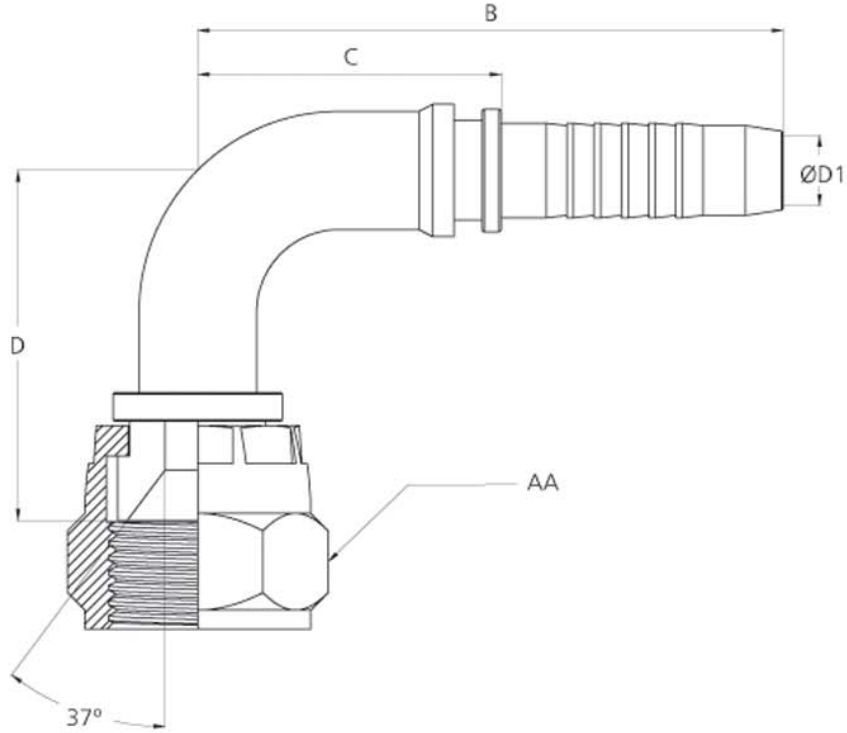
ORFS SOMUNLU 90° HORTUM REKORLARI / 90° HOSE FITTINGS WITH ORFS NUT

MALZEME KODU MATERIAL CODE	HORTUM ÖLÇÜSÜ HOSE SIZE		SOMUN ÖLÇÜSÜ NUT SIZE	B	C	D	ØD1	AA
	mm	inch						
RK-0614-OS90	06	1/4	9/16-18	53	28	25	4	19
RK-0617-OS90	06	1/4	11/16-16	53	28	27	4	22
RK-0814-OS90	08	5/16	9/16-18	56	29	25	5.5	19
RK-0817-OS90	08	5/16	11/16-16	56	29	29	5.5	22
RK-1017-OS90	10	3/8	11/16-16	65	35	33	7	22
RK-1021-OS90	10	3/8	13/16-16	65	35	35	7	24
RK-1321-OS90	12	1/2	13/16-16	73	40	37	9	24
RK-1325-OS90	12	1/2	1"-14	73	40	42	9	30
RK-1625-OS90	16	5/8	1"-14	90	47	44	11	30
RK-1630-OS90	16	5/8	1 3/16-12	90	47	47	11	36
RK-1930-OS90	19	3/4	1 3/16-12	105	59	54	14	36
RK-1937-OS90	19	3/4	1 7/16-12	105	59	57	14	41



HYDRAULIC FITTINGS

HOSE FITTINGS 90 WITH UNF NUT



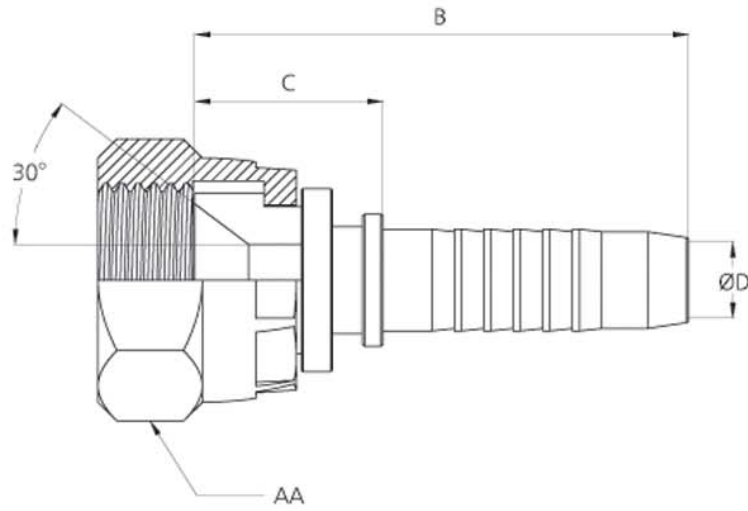
UNF SOMUNLU 90° HORTUM REKORLARI / 90° HOSE FITTINGS WITH UNF NUT

MALZEME KODU MATERIAL CODE	HORTUM ÖLÇÜSÜ HOSE SIZE		SOMUN ÖLÇÜSÜ NUT SIZE	B	C	D	ØD1	AA
	mm	inch						
RK-0511-WS90	05	3/16	7/16-20	47	26	21	3.5	14
RK-0611-WS90	06	1/4	7/16-20	52	27	26	4	16
RK-0612-WS90	06	1/4	1/2-20	52	27	26	4	17
RK-0812-WS90	08	5/16	1/2-20	55	29	29	5.5	17
RK-0614-WS90	06	1/4	9/16-18	52	27	27	4	19
RK-0814-WS90	08	5/16	9/16-18	55	29	28	5.5	19
RK-0816-WS90	08	5/16	5/8-18	55	29	29	5.5	21
RK-1014-WS90	10	3/8	9/16-18	62	33	32	7	19
RK-1016-WS90	10	3/8	5/8-18	62	33	34	7	21
RK-1019-WS90	10	3/8	3/4-16	62	33	34	7	24
RK-1319-WS90	12	1/2	3/4-16	70	38	39	9	24
RK-1322-WS90	12	1/2	7/8-14	70	38	41	9	27
RK-1622-WS90	16	5/8	7/8-14	88	49	48	11	27
RK-1627-WS90	16	5/8	1"1/16-12	88	49	51	11	32
RK-1927-WS90	19	3/4	1"1/16-12	105	57	53	14	32
RK-2533-WS90	25	1"	1"5/16-12	130	77	72	19	41
RK-3241-WS90	32	1"1/4	1"5/8-12	150	90	85	25	50



HYDRAULIC FITTINGS

HOSE FITTINGS FLAT
WITH BSP INTERNAL COUNTERSUNK

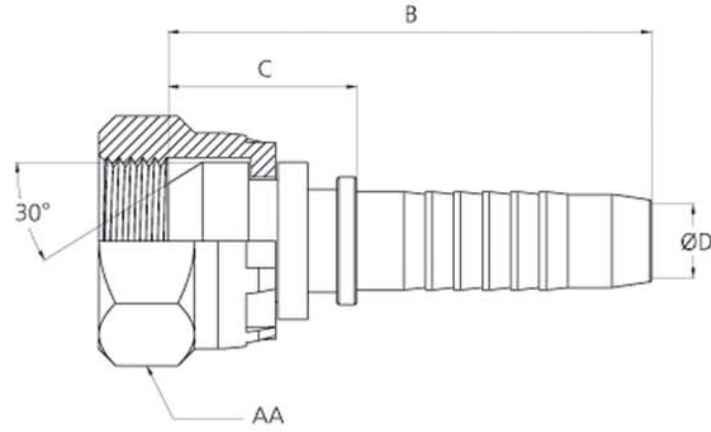


BSP İÇE HAVŞA DÜZ HORTUM REKORLARI / FLAT HOSE FITTINGS WITH BSP INTERNAL COUNTERSUNK							
MALZEME KODU MATERIAL CODE	HORTUM ÖLÇÜSÜ HOSE SIZE		SOMUN ÖLÇÜSÜ NUT SIZE	B	C	ØD	AA
	mm	inch					
RK-0613-RISD	06	1/4	R1/4-19	40	15	4	17
RK-0617-RISD	06	1/4	R3/8-19	42	17	4	22
RK-0621-RISD	06	1/4	R1/2-14	43.5	18.5	4	27
RK-0817-RISD	08	5/16	R3/8-19	44	17	5.5	22
RK-0821-RISD	08	5/16	R1/2-14	45.5	18.5	5.5	27
RK-1017-RISD	10	3/8	R3/8-19	47	17	7	22
RK-1021-RISD	10	3/8	R1/2-14	48.5	18.5	7	27
RK-1321-RISD	12	1/2	R1/2-14	52.5	19.5	9	27
RK-1626-RISD	16	5/8	R3/4-14	62	22	12	32
RK-1926-RISD	19	3/4	R3/4-14	67.5	23.5	14	32
RK-2533-RISD	25	1"	R1"-11	81	27	19	41
RK-3242-RISD	32	1 1/4"	R1 1/4-11	89.5	30.5	25	50



HYDRAULIC FITTINGS

HOSE FITTINGS FLAT WITH BSP NUT



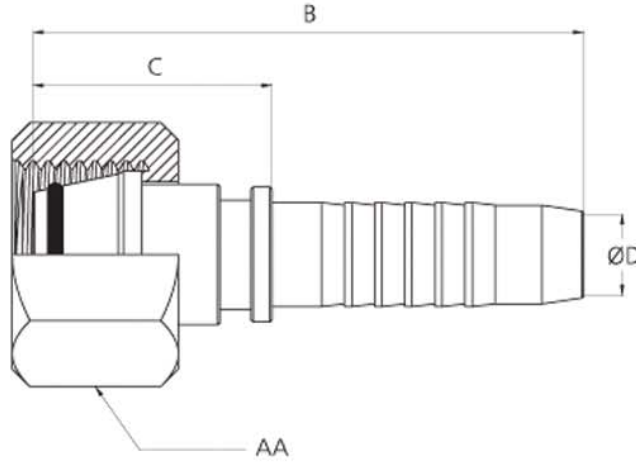
BSP SOMUNLU DÜZ HORTUM REKORLARI / FLAT HOSE FITTINGS WITH BSP NUT

MALZEME KODU MATERIAL CODE	HORTUM ÖLÇÜSÜ HOSE SIZE		SOMUN ÖLÇÜSÜ NUT SIZE	B	C	ØD	AA
	mm	inch					
RK-0510-RSD	05	3/16	R1/8-28	36	15	3.5	14
RK-0513-RSD	05	3/16	R1/4-19	39	18	3.5	17
RK-0610-RSD	06	1/4	R1/8-28	40.5	15.5	4	14
RK-0613-RSD	06	1/4	R1/4-19	43.5	18.5	4	17
RK-0617-RSD	06	1/4	R3/8-19	45	20	4	22
RK-0621-RSD	06	1/4	R1/2-14	48	23	4	27
RK-0813-RSD	08	5/16	R1/4-19	45.5	18.5	5.5	17
RK-0817-RSD	08	5/16	R3/8-19	47	20	5.5	22
RK-0821-RSD	08	5/16	R1/2-14	50	23	5.5	27
RK-1017-RSD	10	3/8	R3/8-19	50	20	7	22
RK-1021-RSD	10	3/8	R1/2-14	53	23	7	27
RK-1317-RSD	12	1/2	R3/8-19	53.5	20.5	9	22
RK-1321-RSD	12	1/2	R1/2-14	56.5	23.5	9	27
RK-1623-RSD	16	5/8	R5/8-14	67	27	12	30
RK-1626-RSD	16	5/8	R3/4-14	67.5	27.5	12	32
RK-1926-RSD	19	3/4	R3/4-14	72	28	14	32
RK-2533-RSD	25	1"	R1"-11	88	34	19	41
RK-3242-RSD	32	1"1/4	R1"1/4-11	95.5	36	25	50
RK-3848-RSD	38	1"1/2	R1"1/2-11	111.5	39.5	29	55
RK-5060-RSD	50	2"	R2"-11	105.5	45.5	41	70
RK-6475-RSD	64	2"1/2	R2"1/2-11	109	49	54.5	90



HYDRAULIC FITTINGS

HOSE FITTINGS FLAT WITH METRIC NUT



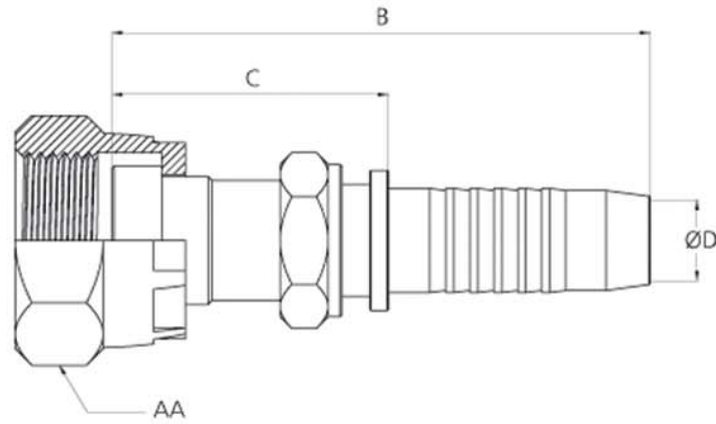
METRİK SOMUNLU DÜZ HORTUM REKORLARI / FLAT HOSE FITTINGS WITH METRIC NUT

MALZEME KODU MATERIAL CODE	HORTUM ÖLÇÜSÜ HOSE SIZE		SOMUN ÖLÇÜSÜ NUT SIZE	B	C	ØD	AA
	mm	inch					
RK-0512-MSOD	05	3/16	M12x1,5	43	28	3.5	14
RK-0514-MSOD	05	3/16	M14x1,5	41.5	21.2	3.5	17
RK-0612-MSOD	06	1/4	M12x1,5	45	20.5	4	17
RK-0614-MSOD	06	1/4	M14x1,5	46	21.5	4	17
RK-0616-MSOD	06	1/4	M16x1,5	47	22.5	4	19
RK-0814-MSOD	08	5/16	M14x1,5	48	21.6	5.5	17
RK-0816-MSOD	08	5/16	M16x1,5	49	22.6	5.5	19
RK-0818-MSOD	08	5/16	M18x1,5	49.5	23.1	5.5	22
RK-1016-MSOD	10	3/8	M16x1,5	52	22.7	7	21
RK-1018-MSOD	10	3/8	M18x1,5	53	23.7	7	22
RK-1020-MSOD	10	3/8	M20x1,5	54	24.9	7	24
RK-1022-MSOD	10	3/8	M22x1,5	55.5	26.2	7	27
RK-1024-MSOD	10	3/8	M24x1,5	55	25.7	7	30
RK-1318-MSOD	12	1/2	M18x1,5	56	23.9	9	22
RK-1322-MSOD	12	1/2	M22x1,5	59	26.9	9	27
RK-1324-MSOD	12	1/2	M24x1,5	60	27.9	9	30
RK-1626-MSOD	16	5/8	M26x1,5	66.5	27.5	12	32
RK-1630-MSOD	16	5/8	M30x2	71.5	31.5	12	36
RK-1930-MSOD	19	3/4	M30x2	76	33	14	36
RK-1936-MSOD	19	3/4	M36x2	75	31.8	14	46
RK-2536-MSOD	25	1"	M36x2	86	32.7	19	46
RK-2542-MSOD	25	1"	M42x2	93.5	35.2	19	50
RK-2545-MSOD	25	1"	M45x2	87.5	34.2	19	50
RK-3245-MSOD	32	1 1/4	M45x2	94.5	35.2	25	50
RK-3252-MSOD	32	1 1/4	M52x2	97.5	38.2	25	60



HYDRAULIC FITTINGS

HOSE FITTINGS FLAT WITH ORFS NUT



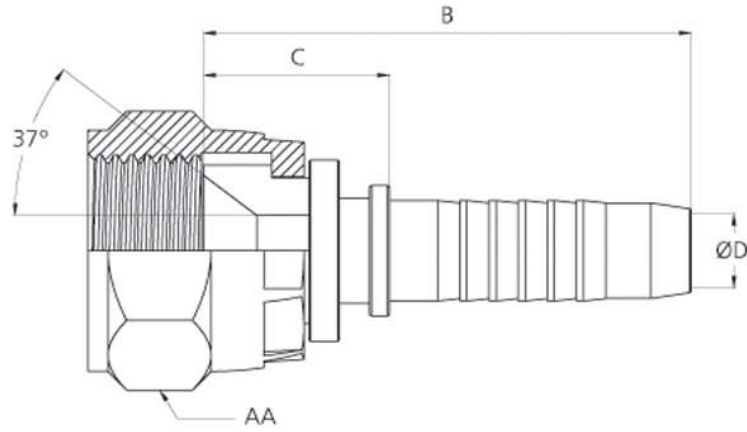
ORFS SOMUNLU DÜZ HORTUM REKORLARI / FLAT HOSE FITTINGS WITH ORFS NUT

MALZEME KODU MATERIAL CODE	HORTUM ÖLÇÜSÜ HOSE SIZE		SOMUN ÖLÇÜSÜ NUT SIZE	B	C	ØD	AA
	mm	inch					
RK-0614-OSD	06	1/4	9/16-18	52	27	4	19
RK-0617-OSD	06	1/4	11/16-16	55	30	4	22
RK-0814-OSD	08	5/16	9/16-18	54	27	5.5	19
RK-0817-OSD	08	5/16	11/16-16	57	30	5.5	22
RK-1017-OSD	10	3/8	11/16-16	60	30	7	22
RK-1021-OSD	10	3/8	13/16-16	64	34	7	24
RK-1321-OSD	12	1/2	13/16-16	67.5	34.5	9	24
RK-1325-OSD	12	1/2	1"-14	72	39	9	30
RK-1625-OSD	16	5/8	1"-14	80	40	12	30
RK-1630-OSD	16	5/8	1 3/16-12	83.5	43.5	12	36
RK-1930-OSD	19	3/4	1 3/16-12	88	44	14	36
RK-1937-OSD	19	3/4	1 7/16-12	91.5	47.5	14	41
RK-2537-OSD	25	1"	1 7/16-12	102.5	48.5	19	41
RK-2543-OSD	25	1"	1 11/16-12	106	52	19	50



HYDRAULIC FITTINGS

HOSE FITTINGS FLAT WITH UNF NUT



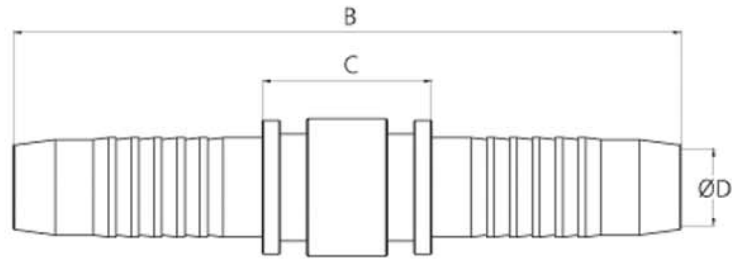
UNF SOMUNLU DÜZ HORTUM REKORLARI / FLAT HOSE FITTINGS WITH UNF NUT

MALZEME KODU MATERIAL CODE	HORTUM ÖLÇÜSÜ HOSE SIZE		SOMUN ÖLÇÜSÜ NUT SIZE	B	C	ØD	AA
	mm	inch					
RK-0511-WSD	05	3/16	7/16-20	35	14	3.5	14
RK-0611-WSD	06	1/4	7/16-20	39.5	14.5	4	16
RK-0612-WSD	06	1/4	1/2-20	41	16	4	17
RK-0812-WSD	08	5/16	1/2-20	43	16	5.5	17
RK-0614-WSD	06	1/4	9/16-18	41.5	16.5	4	19
RK-0814-WSD	08	5/16	9/16-18	43.5	16.5	5.5	19
RK-0816-WSD	08	5/16	5/8-18	44	17	5.5	21
RK-1014-WSD	10	3/8	9/16-18	46.5	16.5	7	19
RK-1016-WSD	10	3/8	5/8-18	47	17	7	21
RK-1019-WSD	10	3/8	3/4-16	48.5	18.5	7	24
RK-1319-WSD	12	1/2	3/4-16	52	19	9	24
RK-1322-WSD	12	1/2	7/8-14	53	20	9	27
RK-1622-WSD	16	5/8	7/8-14	61	21	12	27
RK-1627-WSD	16	5/8	1"1/16-12	65	25	12	32
RK-1927-WSD	19	3/4	1"1/16-12	69.5	25.5	14	32
RK-2533-WSD	25	1"	1"5/16-12	84.5	30	19	41
RK-3241-WSD	32	1"1/4	1"5/8-12	94	35	25	50
RK-3847-WSD	38	1"1/2	1"7/8-12	107.5	35.5	29	55



HYDRAULIC FITTINGS

HOSE FITTINGS FOR HOSE EXTENSIONS



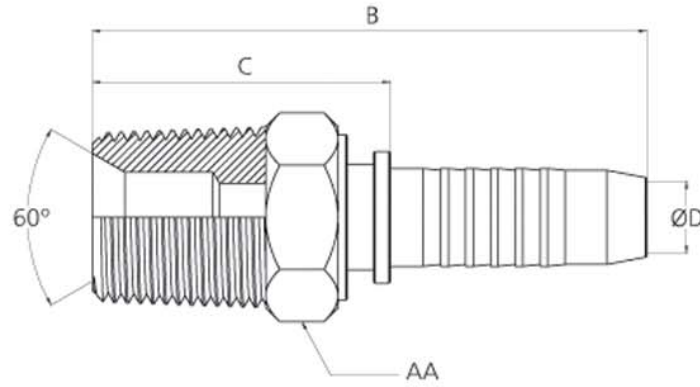
HORTUM EKLERİ HORTUM REKORLARI / HOSE FITTINGS FOR HOSE EXTENSIONS

MALZEME KODU MATERIAL CODE	HORTUM ÖLÇÜSÜ HOSE SIZE		HORTUM ÖLÇÜSÜ HOSE SIZE		B	C	ØD
	mm	inch	mm	inch			
RK-0505-HE	05	3/16	05	3/16	55	13	3.5
RK-0606-HE	06	1/4	06	1/4	66	16	4
RK-0808-HE	08	5/16	08	5/16	70	16	5.5
RK-1010-HE	10	3/8	10	3/8	77	17	7
RK-1313-HE	12	1/2	12	1/2	88	22	9
RK-1616-HE	16	5/8	16	5/8	108	28	12
RK-1919-HE	19	3/4	19	3/4	118	30	14
RK-2525-HE	25	1"	25	1"	144	36	19
RK-3232-HE	32	1"1/4	32	1"1/4	160	41.5	25
RK-3838-HE	38	1"1/2	38	1"1/2	189	45	29



HYDRAULIC FITTINGS

NPT MALE HOSE FITTINGS

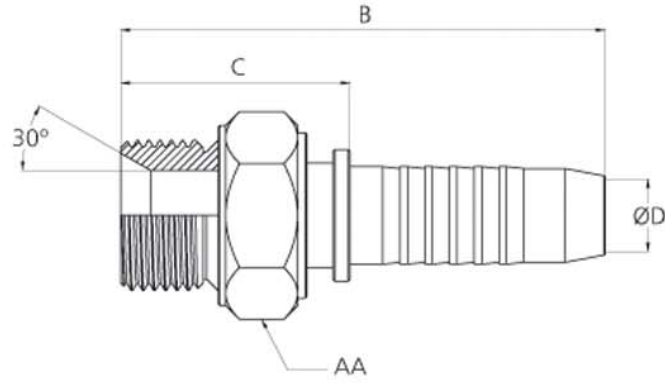


NPT ERKEK HORTUM REKORLARI / NPT MALE HOSE FITTINGS							
MALZEME KODU MATERIAL CODE	HORTUM ÖLÇÜSÜ HOSE SIZE		DIŞ ÖLÇÜSÜ THREAD SIZE	B	C	ØD	AA
	mm	inch					
RK-0510-NE	05	3/16	1/8-28	42.5	21.5	3.5	12
RK-0610-NE	06	1/4	1/8-28	47	22	4	12
RK-0613-NE	06	1/4	1/4-19	51	26	4	14
RK-0617-NE	06	1/4	3/8-19	53.5	28.5	4	19
RK-0621-NE	06	1/4	1/2-14	58	33	4	22
RK-0813-NE	08	5/16	1/4-19	53	26	5.5	14
RK-0817-NE	08	5/16	3/8-19	55.5	28.5	5.5	19
RK-1021-NE	08	5/16	1/2-14	60	33	5.5	22
RK-1013-NE	10	3/8	1/4-19	56	26	7	14
RK-1017-NE	10	3/8	3/8-19	58.5	28.5	7	19
RK-1021-NE	10	3/8	1/2-14	63	33	7	22
RK-1321-NE	12	1/2	1/2-14	66.5	33.5	9	22
RK-1327-NE	12	1/2	3/4-14	70.5	37.5	9	27
RK-1627-NE	16	5/8	3/4-14	78.5	38.5	12	27
RK-1927-NE	19	3/4	3/4-14	83	39	14	27
RK-2533-NE	25	1"	1"-11	100.5	46.5	19	36
RK-3242-NE	32	1 1/4"	1 1/4-11	108	49	25	46
RK-3848-NE	38	1 1/2"	1 1/2-11	122.5	50.5	29	50



HYDRAULIC FITTINGS

MALE HOSE FITTINGS WITH BSP WASHER



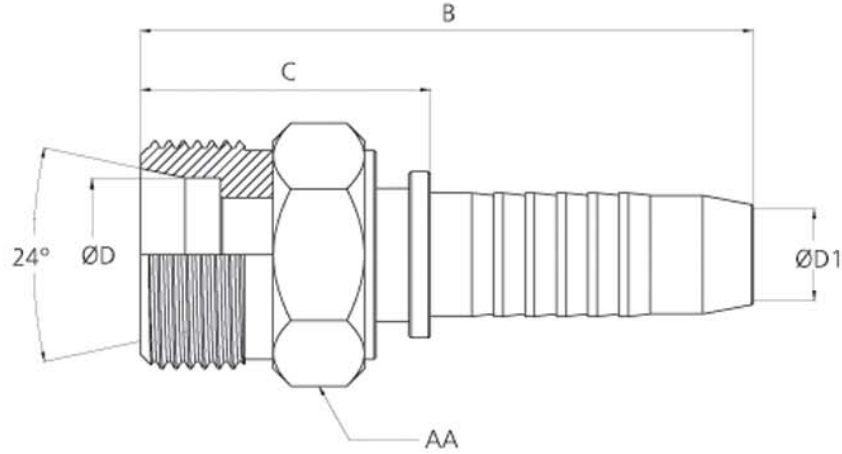
BSP PUL SIKMALI ERKEK HORTUM REKORLARI / MALE HOSE FITTINGS WITH BSP WASHER

MALZEME KODU MATERIAL CODE	HORTUM ÖLÇÜSÜ HOSE SIZE		DIŞ ÖLÇÜSÜ THREAD SIZE	B	C	ØD	AA
	mm	inch					
RK-0613-RE	06	1/4	R1/4-19	50	25	4	19
RK-0617-RE	06	1/4	R3/8-19	51.5	26.5	4	22
RK-1017-RE	10	3/8	R3/8-19	56.5	26.5	7	22
RK-1021-RE	10	3/8	R1/2-14	59	29	7	27
RK-1321-RE	12	1/2	R1/2-14	62.5	29.5	9	27
RK-1626-RE	16	5/8	R3/4-14	73.5	33.5	12	32
RK-1633-RE	16	5/8	R1"-11	78.5	38.5	12	41
RK-1926-RE	19	3/4	R3/4-14	78	34	14	32
RK-2533-RE	25	1"	R1"-11	94	40	19	41
RK-3242-RE	32	1"1/4	R1"1/4-11	106.5	47.5	25	50



HYDRAULIC FITTINGS

METRIC MALE HOSE FITTINGS

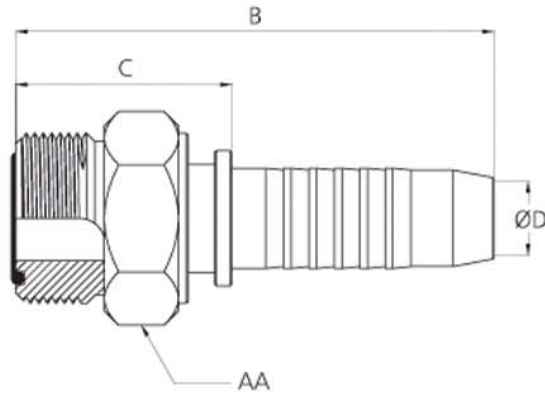


METRİK ERKEK HORTUM REKORLARI / METRIC MALE HOSE FITTINGS								
MALZEME KODU MATERIAL CODE	HORTUM ÖLÇÜSÜ HOSE SIZE		DIŞ ÖLÇÜSÜ THREAD SIZE	B	C	ØD	ØD1	AA
	mm	inch						
RK-0512-ME	05	3/16	M12x1,5	41.5	20.5	6	3.5	12
RK-0514-ME	05	3/16	M14x1,5	42	21	8	3.5	14
RK-0612-ME	06	1/4	M12x1,5	46	21	6	4	12
RK-0614-ME	06	1/4	M14x1,5	46.5	21.5	8	4	14
RK-0616-ME	06	1/4	M16x1,5	48	23	10	4	17
RK-0814-ME	08	5/16	M14x1,5	48.5	21.5	8	5.5	14
RK-0816-ME	08	5/16	M16x1,5	50	23	10	5.5	17
RK-0818-ME	08	5/16	M18x1,5	51	24	12	5.5	19
RK-1016-ME	10	3/8	M16x1,5	53	23	10	7	17
RK-1018-ME	10	3/8	M18x1,5	54	24	12	7	19
RK-1020-ME	10	3/8	M20x1,5	56	26	12	7	22
RK-1022-ME	10	3/8	M22x1,5	57	27	15	7	22
RK-1024-ME	10	3/8	M24x1,5	59.5	29.5	16	7	24
RK-1318-ME	12	1/2	M18x1,5	57.5	24.5	12	9	19
RK-1322-ME	12	1/2	M22x1,5	60.5	27.5	15	9	22
RK-1324-ME	12	1/2	M24x1,5	63	30	16	9	24
RK-1626-ME	16	5/8	M26x1,5	69	29	18	12	27
RK-1630-ME	16	5/8	M30x2	74.5	34.5	20	12	32
RK-1930-ME	19	3/4	M30x2	79	35	20	14	32
RK-1936-ME	19	3/4	M36x2	81.5	37.5	25	14	36
RK-2536-ME	25	1"	M36x2	92.5	38.5	25	19	36
RK-2542-ME	25	1"	M42x2	97.5	43.5	30	19	46
RK-2545-ME	25	1"	M45x2	94	40	35	19	46
RK-3245-ME	32	1"1/4	M45x2	101	42	35	25	46
RK-3252-ME	32	1"1/4	M52x2	108	49	38	25	55



HYDRAULIC FITTINGS

ORFS MALE HOSE FITTINGS



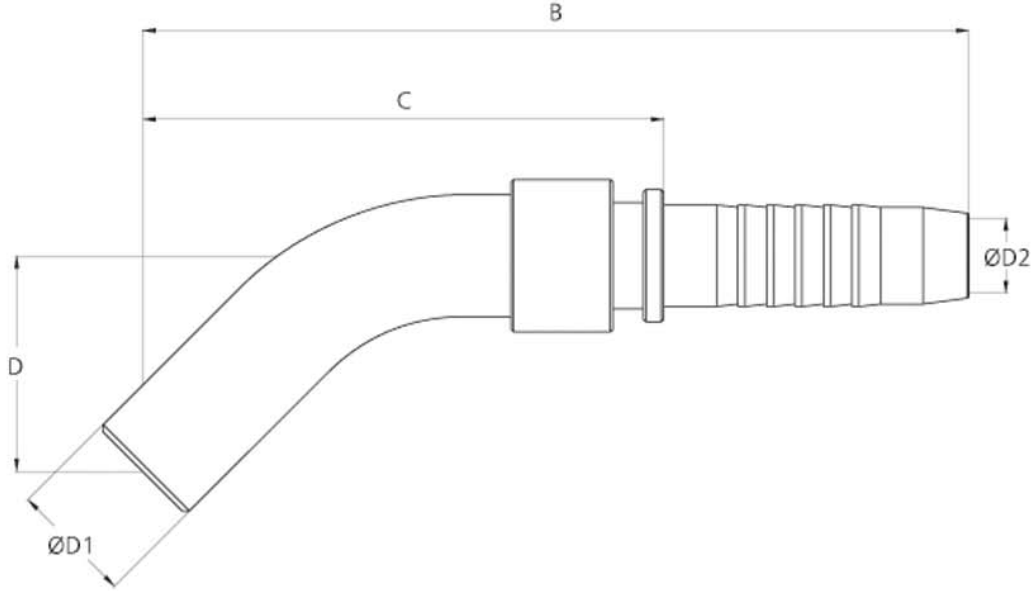
ORFS ERKEK HORTUM REKORLARI / ORFS MALE HOSE FITTINGS

MALZEME KODU MATERIAL CODE	HORTUM ÖLÇÜSÜ HOSE SIZE		DIŞ ÖLÇÜSÜ THREAD SIZE	B	C	ØD	AA
	mm	inch					
RK-0614-OE	06	1/4	9/16-18	51	26	4	17
RK-0617-OE	06	1/4	11/16-16	53	28	4	19
RK-0814-OE	08	5/16	9/16-18	53	26	5.5	17
RK-0817-OE	08	5/16	11/16-16	55	28	5.5	19
RK-1017-OE	10	3/8	11/16-16	58	28	7	19
RK-1021-OE	10	3/8	13/16-16	60	30	7	22
RK-1321-OE	12	1/2	13/16-16	63.5	30.5	9	22
RK-1325-OE	12	1/2	1"-14	68.5	35.5	9	27
RK-1625-OE	16	5/8	1"-14	76.5	36.5	12	27
RK-1630-OE	16	5/8	1 3/16-12	78	38	12	32
RK-1930-OE	19	3/4	1 3/16-12	82.5	38.5	14	32
RK-1937-OE	19	3/4	1 7/16-12	85	41	14	41
RK-2537-OE	25	1"	1 7/16-12	96	42	19	41
RK-2543-OE	25	1"	1 11/16-12	98	44	19	46



HYDRAULIC FITTINGS

PIPE TIP 45 HOSE FITTINGS

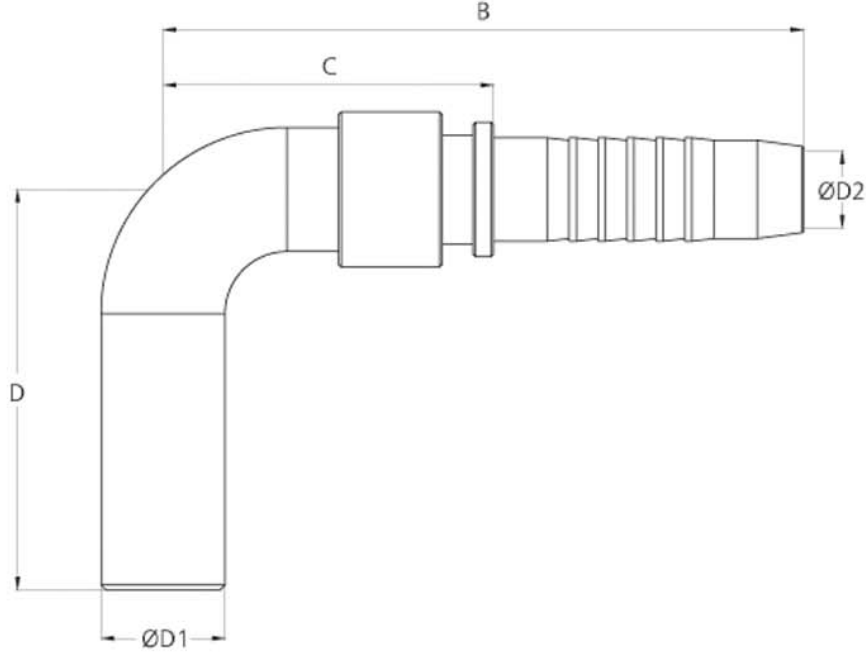


BORU UÇLU 45° HORTUM REKORLARI / PIPE TIP 45° HOSE FITTINGS							
MALZEME KODU MATERIAL CODE	HORTUM ÖLÇÜSÜ HOSE SIZE		BORU ÖLÇÜSÜ PIPE SIZE ØD1	B	C	D	ØD2
	mm	inch					
RK-0506-BU45	05	3/16	6	62.5	42	20	3.5
RK-0606-BU45	06	1/4	6	69.5	44.5	20	4
RK-0608-BU45	06	1/4	8	71	45.5	21	4
RK-0610-BU45	06	1/4	10	72	47	21	4
RK-0808-BU45	08	5/16	8	73	45.5	21	5.5
RK-0810-BU45	08	5/16	10	74	47	21	5.5
RK-0812-BU45	08	5/16	12	77	50.5	22	5.5
RK-1008-BU45	10	3/8	8	76	45.5	21	7
RK-1010-BU45	10	3/8	10	77	47	21	7
RK-1012-BU45	10	3/8	12	80	50.5	22	7
RK-1312-BU45	12	1/2	12	83.5	50.5	22	9
RK-1316-BU45	12	1/2	16	91.5	59	27	9
RK-1616-BU45	16	5/8	16	98.5	59	27	11
RK-1618-BU45	16	5/8	18	98.5	59	28	11
RK-1620-BU45	16	5/8	20	108	67	32	11
RK-1622-BU45	16	5/8	22	108	67	32	11
RK-1920-BU45	19	3/4	20	112	67	32	14
RK-1922-BU45	19	3/4	22	112	67	32	14
RK-1925-BU45	19	3/4	25	123	78	40	14
RK-2525-BU45	25	1"	25	133	78	40	19
RK-2528-BU45	25	1"	28	133	78	40	19



HYDRAULIC FITTINGS

PIPE TIP 90 HOSE FITTINGS

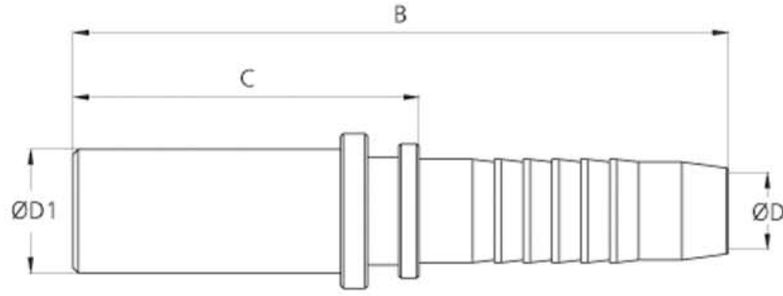


BORU UÇLU 90° HORTUM REKORLARI / PIPE TIP 90° HOSE FITTINGS							
MALZEME KODU MATERIAL CODE	HORTUM ÖLÇÜSÜ HOSE SIZE		BORU ÖLÇÜSÜ PIPE SIZE ØD1	B	C	D	ØD2
	mm	inch					
RK-0506-BU90	05	3/16	6	46	25	31	3.5
RK-0606-BU90	06	1/4	6	52	27	31	4
RK-0608-BU90	06	1/4	8	52	27	34	4
RK-0610-BU90	06	1/4	10	53	28	36	4
RK-0808-BU90	08	5/16	8	53	26	34	5.5
RK-0810-BU90	08	5/16	10	52	25	35	5.5
RK-0812-BU90	08	5/16	12	58	31	43	5.5
RK-1008-BU90	10	3/8	8	57	27	34	7
RK-1010-BU90	10	3/8	10	59	29	35	7
RK-1012-BU90	10	3/8	12	63	33	41	7
RK-1312-BU90	12	1/2	12	66	33	42	9
RK-1316-BU90	12	1/2	16	73	40	48	9
RK-1616-BU90	16	5/8	16	82.5	42.5	51.5	11
RK-1618-BU90	16	5/8	18	85	49	60	11
RK-1620-BU90	16	5/8	20	88.5	48.5	63.5	11
RK-1622-BU90	16	5/8	22	94	54	71	11
RK-1920-BU90	19	3/4	20	100	55	62	14
RK-1922-BU90	19	3/4	22	100	55	63.5	14
RK-1925-BU90	19	3/4	25	105	61	80	14
RK-2525-BU90	25	1"	25	111	57	80	19
RK-2528-BU90	25	1"	28	116	62	80	19



HYDRAULIC FITTINGS

PIPE TIP FLAT HOSE FITTINGS

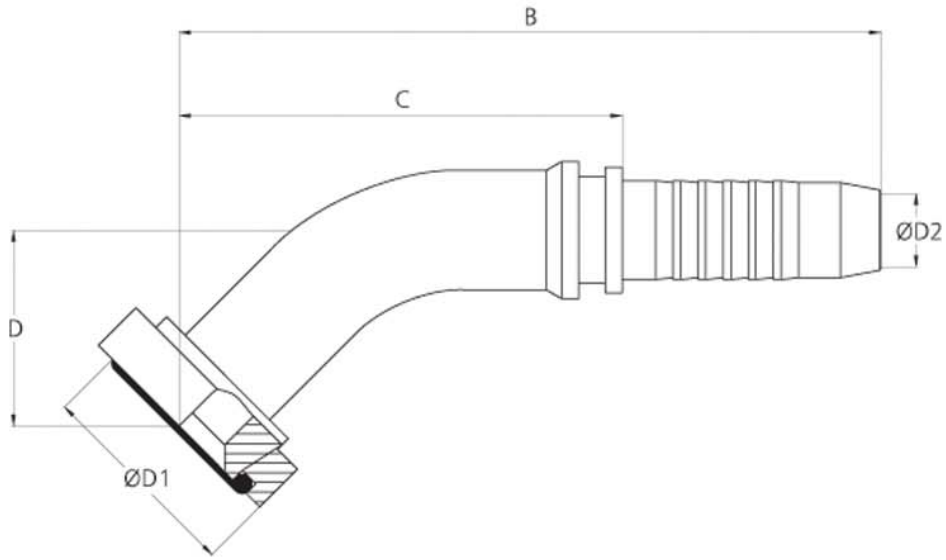


BORU UÇLU DÜZ HORTUM REKORLARI / PIPE TIP FLAT HOSE FITTINGS						
MALZEME KODU MATERIAL CODE	HORTUM ÖLÇÜSÜ HOSE SIZE		BORU ÖLÇÜSÜ PIPE SIZE ØD1	B	C	ØD
	mm	inch				
RK-0506-BUD	05	3/16	6	49	28.5	3.5
RK-0606-BUD	06	1/4	6	55	30	4
RK-0608-BUD	06	1/4	8	55.5	30.5	4
RK-0610-BUD	06	1/4	10	55	30	4
RK-0808-BUD	08	5/16	8	57	30	5.5
RK-0810-BUD	08	5/16	10	57.5	30.5	5.5
RK-0812-BUD	08	5/16	12	60.5	33.5	5.5
RK-1008-BUD	10	3/8	8	61	31	7
RK-1010-BUD	10	3/8	10	61.5	31.5	7
RK-1012-BUD	10	3/8	12	63.5	33.5	7
RK-1312-BUD	12	1/2	12	68	35.5	9
RK-1316-BUD	12	1/2	16	71	38.5	9
RK-1616-BUD	16	5/8	16	81	41	12
RK-1618-BUD	16	5/8	18	82.5	42.5	12
RK-1620-BUD	16	5/8	20	85.5	45.5	12
RK-1622-BUD	16	5/8	22	90	50	12
RK-1920-BUD	19	3/4	20	91.5	46.5	14
RK-1922-BUD	19	3/4	22	95.5	50.5	14
RK-1925-BUD	19	3/4	25	103	58	14
RK-2525-BUD	25	1"	25	113.5	59.5	19
RK-2528-BUD	25	1"	28	115	61	19



HYDRAULIC FITTINGS

FLANGED 45 HOSE FITTINGS 3000 SERIES



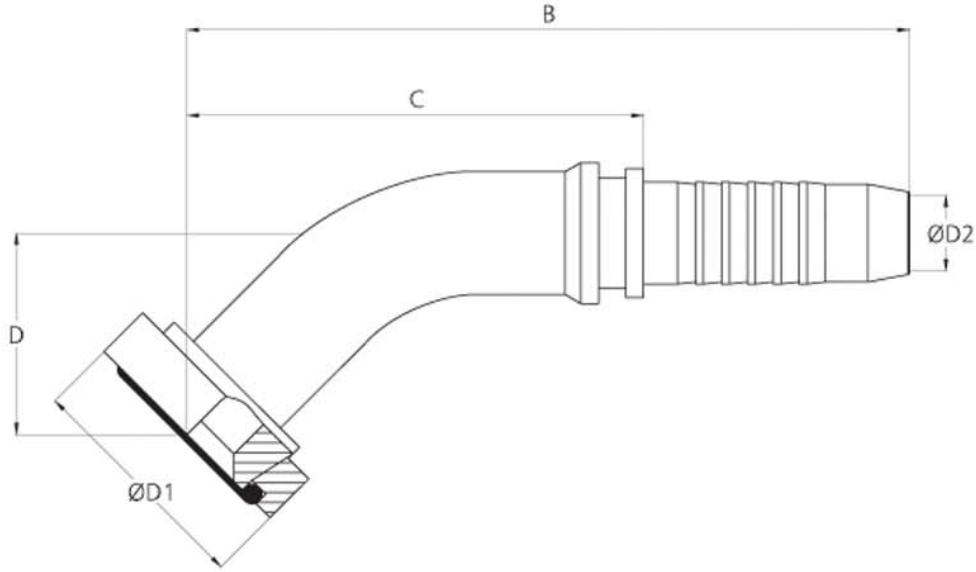
FLANŞLI 45° HORTUM REKORLARI 3000 SERİSİ / FLANGED 45° HOSE FITTINGS 3000 SERIES

MALZEME KODU MATERIAL CODE	HORTUM ÖLÇÜSÜ HOSE SIZE		FLANŞ ÖLÇÜSÜ FLANGE SIZE ØD1	B	C	D	ØD2
	mm	inch					
RK-133007-FL45	12	1/2	30,2	91	58	25	9
RK-133807-FL45	12	1/2	38,1	97	64	25	9
RK-163807-FL45	16	5/8	38,1	110	70	28	11
RK-193807-FL45	19	3/4	38,1	120	76	30	14
RK-194408-FL45	19	3/4	44,4	120	76	33	14
RK-253807-FL45	25	1"	38,1	145	91	35	19
RK-254408-FL45	25	1"	44,4	145	91	35	19
RK-255108-FL45	25	1"	50,8	145	91	35	19
RK-256008-FL45	25	1"	60,3	145	91	35	19
RK-324408-FL45	32	1"1/4	44,4	160	101	40	25
RK-325108-FL45	32	1"1/4	50,8	160	101	40	25
RK-326008-FL45	32	1"1/4	60,3	160	101	40	25
RK-386008-FL45	38	1"1/2	60,3	185	113	45	29



HYDRAULIC FITTINGS

FLANGED 45 HOSE FITTINGS 6000 SERIES



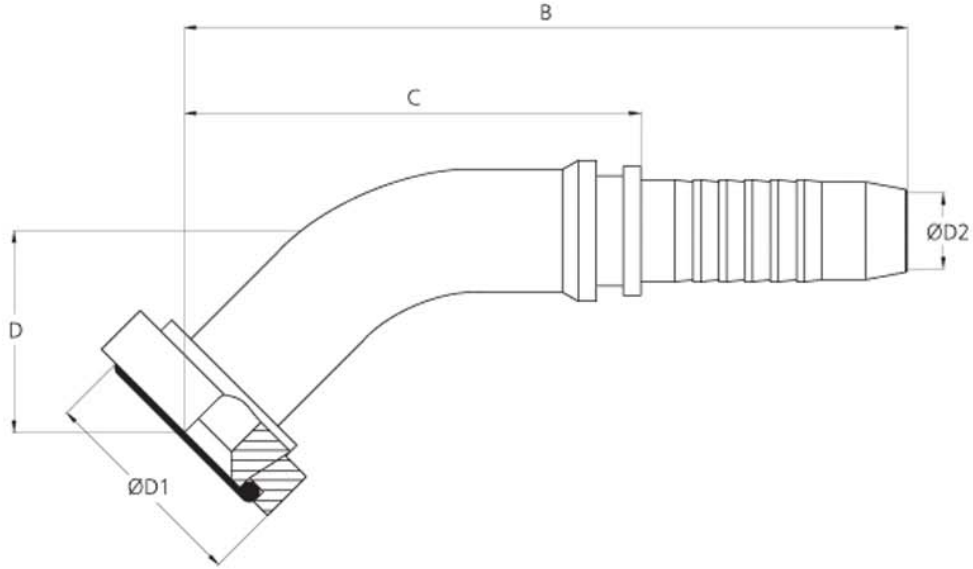
FLANŞLI 45° HORTUM REKORLARI 6000 SERİSİ / FLANGED 45° HOSE FITTINGS 6000 SERIES

MALZEME KODU MATERIAL CODE	HORTUM ÖLÇÜSÜ HOSE SIZE		FLANŞ ÖLÇÜSÜ FLANGE SIZE ØD1	B	C	D	ØD2
	mm	inch					
RK-133208-FL45	12	1/2	32	95	62	27	9
RK-133408-FL45	12	1/2	34,1	95	62	27	9
RK-134110-FL45	12	1/2	41,3	95	62	27	9
RK-163208-FL45	16	5/8	32	105	65	25	11
RK-163408-FL45	16	5/8	34,1	105	65	25	11
RK-164110-FL45	16	5/8	41,3	105	65	25	11
RK-194110-FL45	19	3/4	41,3	118	74	32	14
RK-194810-FL45	19	3/4	47,6	118	74	33	14
RK-254110-FL45	25	1"	41,3	145	91	35	19
RK-254810-FL45	25	1"	47,6	145	91	35	19
RK-255410-FL45	25	1"	54	145	91	35	19
RK-324810-FL45	32	1 1/4"	47,6	160	101	37	25
RK-325410-FL45	32	1 1/4"	54	160	101	37	25
RK-326314-FL45	32	1 1/4"	63,5	160	101	40	25



HYDRAULIC FITTINGS

FLANGED 45 HOSE FITTINGS
THICK TYPE



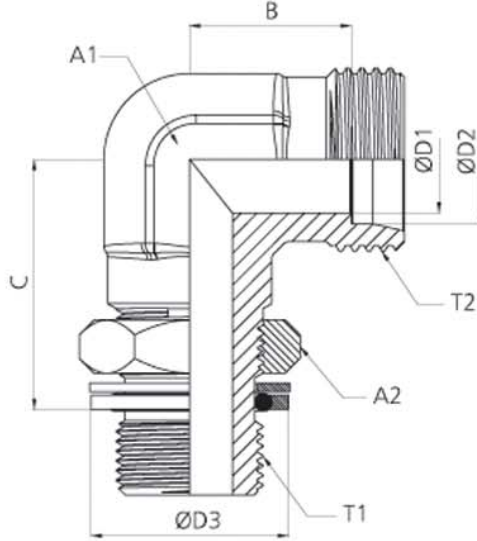
FLANŞLI 45° HORTUM REKORLARI KALIN TİP / FLANGED 45° HOSE FITTINGS, THICK TYPE

MALZEME KODU MATERIAL CODE	HORTUM ÖLÇÜSÜ HOSE SIZE		FLANŞ ÖLÇÜSÜ FLANGE SIZE ØD1	B	C	D	ØD2
	mm	inch					
RK-194110-KFL45	19	3/4	41,3	118	74	30	14
RK-254814-KFL45	25	1"	47,6	145	91	35	19
RK-255414-KFL45	25	1"	54	145	91	38	19
RK-256314-KFL45	25	1"	63,5	145	91	40	19
RK-324814-KFL45	32	1"1/4	47,6	160	101	40	25
RK-325414-KFL45	32	1"1/4	54	160	101	40	25
RK-326314-KFL45	32	1"1/4	63,5	160	101	42	25



HYDRAULIC FITTINGS

BSP -METRIC ADJUSTING LOCK ELBOWS



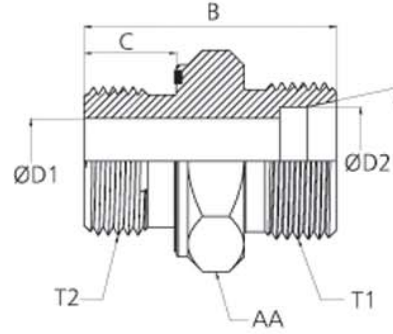
BSP-METRIK KONTRALI DİRSEKLER / BSP-METRIC ADJUSTING LOCK ELBOWS

MALZEME KODU MATERIAL CODE	DİŞ ÖLÇÜSÜ (KONTRALI) THREAD SIZE (WITH ADJUSTING LOCK) T1	DİŞ ÖLÇÜSÜ THREAD SIZE T2	B	C	ØD1	ØD2	ØD3	A1	A2
L TİPİ / L TYPE									
RK-1012-RMKD	R1/8-28	M12x1,5	11.9	19	4	6	15	11	14
RK-1312-RMKD	R1/4-19	M12x1,5	13.1	25	4	6	20	15	19
RK-1314-RMKD	R1/4-19	M14x1,5	13.9	25	6	8	20	15	19
RK-1316-RMKD	R1/4-19	M16x1,5	14.9	25	8	10	20	15	19
RK-13168-RMKD	R1/4-19	M18x1,5	16.9	26	10	12	20	18	19
RK-1716-RMKD	R3/8-19	M16x1,5	15.4	28.5	8	10	23	18	22
RK-1718-RMKD	R3/8-19	M18x1,5	16.9	28.5	10	12	23	18	22
RK-2118-RMKD	R1/2-14	M18x1,5	21.9	36	10	12	28	24	27
RK-2122-RMKD	R1/2-14	M22x1,5	20.9	36	12	15	28	24	27
RK-2126-RMKD	R1/2-14	M26x1,5	23.4	36	15	18	28	24	27
RK-2626-RMKD	R3/4-14	M26x1,5	23.4	36	15	18	33	30	32
RK-2630-RMKD	R3/4-14	M30x2	27.4	36	19	22	33	30	32
RK-3330-RMKD	R1"-11	M30x2	30.4	44	19	22	41	36	41
RK-3336-RMKD	R1"-11	M36x2	30.4	44	24	28	41	36	41
RK-4245-RMKD	R1"1/4-11	M45x2	37.4	49	30	35	51	42	50
RK-4245-RMKD	R1"1/4-11	M52x2	37.9	49	36	42	51	42	50
RK-5242-RMKD	R1"1/2-11	M52x2	37.9	52	36	42	56	52	55
S TİPİ / S TYPE									
RK-1720-RMKD	R3/8-19	M20x1,5	21.4	28.5	8	12	23	18	22
RK-2120-RMKD	R1/2-14	M20x1,5	21.4	36	8	12	28	24	27
RK-2124-RMKD	R1/2-14	M24x1,5	24.4	36	12	16	28	24	27
RK-2624-RMKD	R3/4-14	M24x1,5	24.4	36	12	16	33	30	32
RK-2630-RMKD	R3/4-14	M30x2	27.4	36	16	20	33	30	32
RK-2636-RMKD	R3/4-14	M36x2	29.9	43.5	20	25	33	36	32
RK-3330-RMKD	R1"-11	M30x2	27.4	44	16	20	41	36	41
RK-3336-RMKD	R1"-11	M36x2	29.9	44	20	25	41	36	41
RK-3342-RMKD	R1"-11	M42x2	34.4	47	25	30	41	36	41
RK-4242-RMKD	R1"1/4-11	M42x2	34.4	49	25	30	51	42	50
RK-4242-RMKD	R1"1/4-11	M52x2	33.4	55	32	38	51	42	50



HYDRAULIC FITTINGS

BSP -METRIC NIPPLES (PERFLEXED)

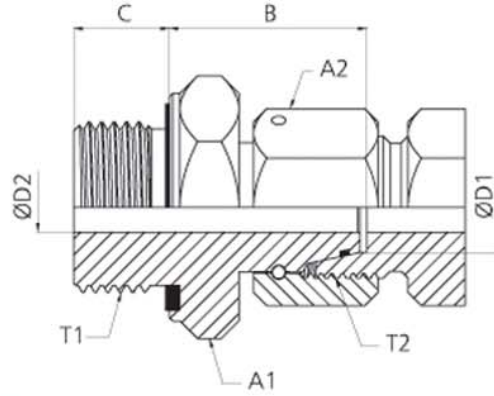


BSP-METRIK NİPELLER (PERFLEXLİ) / BSP-METRIC NIPPLES (PERFLEXED)							
MALZEME KODU MATERIAL CODE	DIŞ ÖLÇÜSÜ THREAD SIZE T2	DIŞ ÖLÇÜSÜ THREAD SIZE T1	B	C	ØD1	ØD2	AA
L TİPİ / L TYPE							
RK-1006-RMNP	R1/8-28	M12 x 1.5	26	8	4	6	14
RK-1306-RMNP	R1/4-19	M12 x 1.5	28	11	4	6	19
RK-1308-RMNP	R1/4-19	M14 x 1.5	28	11	6	8	19
RK-1310-RMNP	R1/4-19	M16 x 1.5	29	11	6	10	19
RK-1312-RMNP	R1/4-19	M18 x 1.5	30	11	6	12	19
RK-1706-RMNP	R3/8-19	M12 x 1.5	30.5	12	9	6	22
RK-1708-RMNP	R3/8-19	M14 x 1.5	30.5	12	9	8	22
RK-1710-RMNP	R3/8-19	M16 x 1.5	31.5	12	9	10	22
RK-1712-RMNP	R3/8-19	M18 x 1.5	31.5	12	9	12	22
RK-1715-RMNP	R3/8-19	M22 x 1.5	32.5	12	9	15	22
RK-2106-RMNP	R1/2-14	M12 x 1.5	32	13	4	6	27
RK-2108-RMNP	R1/2-14	M14 x 1.5	32	13	6	8	27
RK-2110-RMNP	R1/2-14	M16 x 1.5	33	13	8	10	27
RK-2112-RMNP	R1/2-14	M18 x 1.5	33	13	10	12	27
RK-2115-RMNP	R1/2-14	M22 x 1.5	34	13	12	15	27
RK-2118-RMNP	R1/2-14	M26 x 1.5	35	13	12	18	27
RK-2122-RMNP	R1/2-14	M30 x 2	37	13	12	22	32
RK-2618-RMNP	R3/4-14	M26 x 1.5	37	15	15	18	32
RK-2622-RMNP	R3/4-14	M30 x 2	39	15	18	22	32
RK-2628-RMNP	R3/4-14	M36 x 2	40	15	18	28	36
RK-3322-RMNP	R1"-11	M30 x 2	43	18	19	22	41
RK-3328-RMNP	R1"-11	M36 x 2	43	18	23	28	41
RK-3335-RMNP	R1"-11	M45 x 2	46	18	23	35	46
RK-4228-RMNP	R1"1/4-11	M36 x 2	46	20	24	28	50
RK-4235-RMNP	R1"1/4-11	M45 x 2	48	20	30	35	50
RK-4242-RMNP	R1"1/4-11	M52 x 2	50	20	30	42	55
RK-4842-RMNP	R1"1/2-11	M52 x 2	52	22	36	42	55
S TİPİ / S TYPE							
RK-1306-RMNP	R1/4-19	M14x1,5	31	11	4	6	19
RK-1308-RMNP	R1/4-19	M16x1,5	33	11	5	8	19
RK-1312-RMNP	R1/4-19	M18x1,5	33	11	5	10	19
RK-1312-RMNP	R1/4-19	M20x1,5	35	11	6	12	22
RK-1708-RMNP	R3/8-19	M16x1,5	34.5	12	5	8	22
RK-1710-RMNP	R3/8-19	M18x1,5	34.5	12	7	10	22
RK-1712-RMNP	R3/8-19	M20x1,5	36.5	12	8	12	22
RK-1716-RMNP	R3/8-19	M24x1,5	38.5	12	8	16	27
RK-2112-RMNP	R1/2-14	M20x1,5	38	13	8	12	27
RK-2116-RMNP	R1/2-14	M24x1,5	40	13	12	16	27
RK-2120-RMNP	R1/2-14	M30x2	44	13	12	20	32
RK-2616-RMNP	R3/4-14	M24x1,5	44	15	12	16	32
RK-2620-RMNP	R3/4-14	M30x2	46	15	16	20	32
RK-2625-RMNP	R3/4-14	M36x2	50	15	16	25	36
RK-3320-RMNP	R1"-11	M30x2	51	18	16	20	41
RK-3325-RMNP	R1"-11	M36x2	53	18	20	25	41
RK-3330-RMNP	R1"-11	M42x2	55	18	20	30	46
RK-4225-RMNP	R1"1/4-11	M36x2	55	20	20	25	50
RK-4230-RMNP	R1"1/4-11	M42x2	57	20	25	30	50



HYDRAULIC FITTINGS

BSP -METRIC REVERSE COUPLINGS

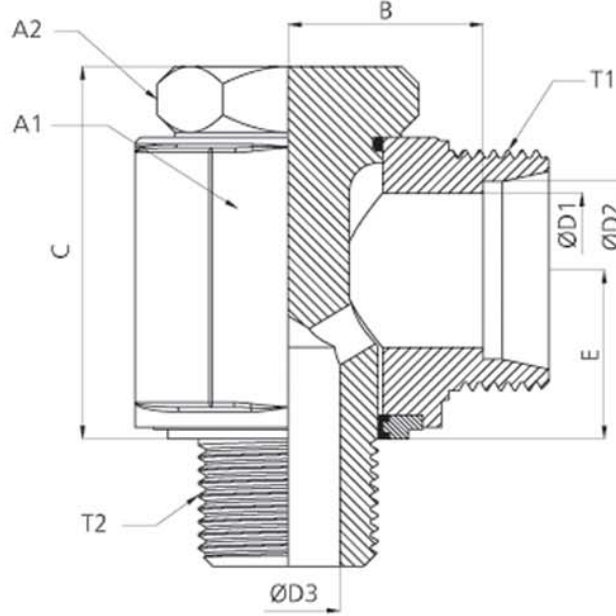


BSP-METRIK TERS REKORLAR / BSP-METRIC REVERSE COUPLINGS								
MALZEME KODU MATERIAL CODE	DIŞ ÖLÇÜSÜ THREAD SIZE T1	DIŞ ÖLÇÜSÜ THREAD SIZE T2	BORU ÇAPI PIPE DIAMETER ØD1	B	C	ØD2	A1	A2
L TIPI / L TYPE								
RK-1006-RMTRL	R1/8-28	M12x1,5	6	24,5	8	3	14	17
RK-1306-RMTRL	R1/4-19	M12x1,5	6	25	11	3	19	17
RK-1308-RMTRL	R1/4-19	M14x1,5	8	29,5	11	4	19	17
RK-1310-RMTRL	R1/4-19	M16x1,5	10	27,5	11	6	19	19
RK-1312-RMTRL	R1/4-19	M18x1,5	12	27,5	11	6	19	22
RK-1708-RMTRL	R3/8-19	M14x1,5	8	27,5	12	3	22	17
RK-1710-RMTRL	R3/8-19	M16x1,5	10	29	12	6	22	19
RK-1712-RMTRL	R3/8-19	M18x1,5	12	34	12	8	22	22
RK-2110-RMTRL	R1/2-14	M16x1,5	10	27,5	13	6	27	19
RK-2112-RMTRL	R1/2-14	M18x1,5	12	29,5	13	8	27	22
RK-2115-RMTRL	R1/2-14	M22x1,5	15	32	13	10	27	27
RK-2118-RMTRL	R1/2-14	M26x1,5	18	31,5	13	12	27	32
RK-2122-RMTRL	R1/2-14	M30x2	22	32	13	13	30	36
RK-2618-RMTRL	R3/4-14	M26x1,5	18	29,5	15	13	32	32
RK-2622-RMTRL	R3/4-14	M30x2	22	32,5	15	17	32	36
RK-2628-RMTRL	R3/4-14	M36x2	28	34	15	18	36	41
RK-3322-RMTRL	R1"-11	M30x2	22	36	18	17	41	36
RK-3328-RMTRL	R1"-11	M36x2	28	35	18	22	41	41
RK-3335-RMTRL	R1"-11	M45x2	35	41	18	22	46	50
RK-4228-RMTRL	R1"1/4-11	M36x2	28	37	20	22	50	41
RK-4235-RMTRL	R1"1/4-11	M45x2	35	42,5	20	28	50	50
RK-4242-RMTRL	R1"1/4-11	M52x2	42	44,5	20	30	50	60
RK-4842-RMTRL	R1"1/2-11	M52x2	42	46,5	22	34	55	60
STIPI / S TYPE								
RK-1306-RMTRS	R1/4-19	M14x1,5	6	27	11	3	19	17
RK-1308-RMTRS	R1/4-19	M16x1,5	8	29,5	11	4	19	19
RK-1310-RMTRS	R1/4-19	M18x1,5	10	31,5	11	6	19	22
RK-1708-RMTRS	R3/8-19	M16x1,5	8	30,5	12	4	22	19
RK-1710-RMTRS	R3/8-19	M18x1,5	10	32	12	6	22	22
RK-1712-RMTRS	R3/8-19	M20x1,5	12	34	12	8	22	24
RK-2112-RMTRS	R1/2-14	M20x1,5	12	35	13	8	27	24
RK-2116-RMTRS	R1/2-14	M24x1,5	16	37	13	10	27	30
RK-2120-RMTRS	R1/2-14	M30x2	20	50	13	12	30	36
RK-2616-RMTRS	R3/4-14	M24x1,5	16	53,5	15	11	32	30
RK-2620-RMTRS	R3/4-14	M30x2	20	43	15	14,5	32	36
RK-2625-RMTRS	R3/4-14	M36x2	25	46,5	15	16	36	46
RK-3320-RMTRS	R1"-11	M30x2	30	44	18	14,5	41	36
RK-3325-RMTRS	R1"-11	M36x2	25	48	18	18	41	46
RK-3330-RMTRS	R1"-11	M42x2	30	50	18	22	41	50
RK-4225-RMTRS	R1"1/4-11	M36x2	25	45	20	18	50	46
RK-4230-RMTRS	R1"1/4-11	M42x2	30	51	20	23	50	50
RK-4238-RMTRS	R1"1/4-11	M52x2	38	57,5	20	28	50	60



HYDRAULIC FITTINGS

BSP-METRIC ROTATING ELBOWS



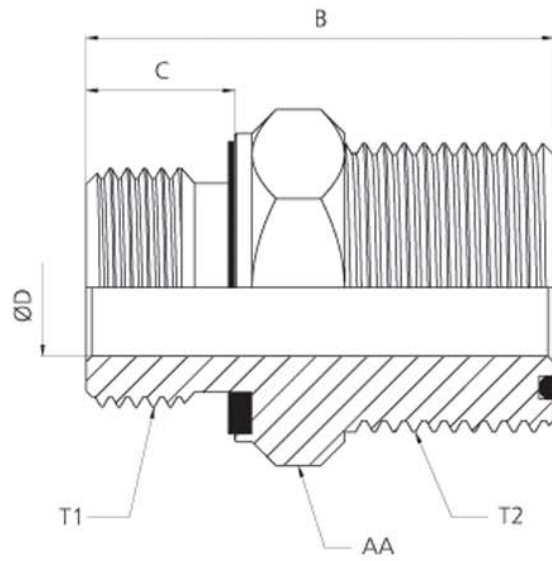
BSP-METRİK DÖNER DİRSEKLER / BSP-METRIC ROTATING ELBOWS

MALZEME KODU MATERIAL CODE	CIVATA ÖLÇÜSÜ BOLT SIZE T2	DIŞ ÖLÇÜSÜ THREAD SIZE T1	BORU ÇAPI PIPE DIAMETER ØD2	ØD1	ØD3	B	E	C	A1	A2
L TİPİ / L TYPE										
RK-1006-RMDDL	R1/8-28	M12x1,5	6	4	4,5	12	10,5	24	17	14
RK-1306-RMDDL	R1/4-19	M12x1,5	6	4	5	14,5	14	29	22	19
RK-1308-RMDDL	R1/4-19	M14x1,5	8	6	5	14,5	14	29	22	19
RK-1310-RMDDL	R1/4-19	M16x1,5	10	8	5	15,5	14	29	22	19
RK-1706-RMDDL	R3/8-19	M12x1,5	6	4	8	17,5	16	34	27	22
RK-1708-RMDDL	R3/8-19	M14x1,5	8	6	8	17,5	16	34	27	22
RK-1710-RMDDL	R3/8-19	M16x1,5	10	8	8	18	16	34	27	22
RK-1712-RMDDL	R3/8-19	M18x1,5	12	10	8	18	16	34	27	22
RK-2110-RMDDL	R1/2-14	M16x1,5	10	8	11	21	21,5	45	32	27
RK-2112-RMDDL	R1/2-14	M18x1,5	12	10	11	21	21,5	45	32	27
RK-2115-RMDDL	R1/2-14	M22x1,5	15	12	11	21,5	21,5	45	32	27
RK-2118-RMDDL	R1/2-14	M26x1,5	18	15	11	22	21,5	45	32	27
RK-2618-RMDDL	R3/4-14	M26x1,5	18	15	15	26,5	24	50	41	32
RK-2622-RMDDL	R3/4-14	M30x2	22	19	15	27,5	24	50	41	32
RK-3328-RMDDL	R1"-11	M36x2	28	24	17	32	31,5	63	50	41
RK-4235-RMDDL	R1"1/4-11	M45x2	35	30	24	36	37,5	76	60	50
RK-4842-RMDDL	R1"1/2-11	M52x2	42	36	30	40,5	42,5	87	70	55
S TİPİ / S TYPE										
RK-1712-RMDDS	R3/8-19	M20x1,5	12	8	8	19	16	34	27	22
RK-2112-RMDDS	R1/2-14	M20x1,5	12	8	8	21	21,5	45	32	27
RK-2116-RMDDS	R1/2-14	M24x1,5	16	12	11	22	21,5	45	32	27
RK-2620-RMDDS	R3/4-14	M30x2	20	16	15	26,5	24	50	41	32
RK-3325-RMDDS	R1"-11	M36x2	25	20	17	31,5	31,5	63	50	41
RK-4230-RMDDS	R1"1/4-11	M42x2	30	25	24	35	37,5	76	60	50



HYDRAULIC FITTINGS

BSP -ORFS NIPPLES

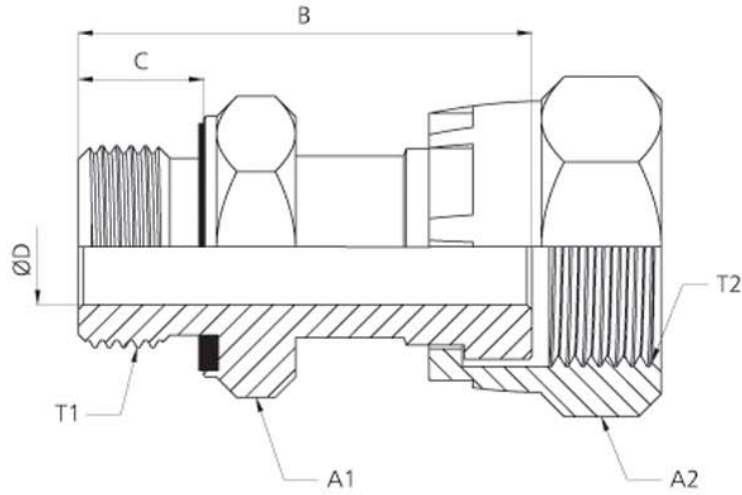


BSP-ORFS NİPELLER / BPS-ORFS NIPPLES						
MALZEME KODU MATERIAL CODE	DIŞ ÖLÇÜSÜ THREAD SIZE T1	DIŞ ÖLÇÜSÜ THREAD SIZE T2	B	C	ØD	AA
RK-1314-RON	R1/4-19	9/16-18	32	11	5	19
RK-1317-RON	R1/4-19	11/16-16	33	11	6	19
RK-1717-RON	R3/8-19	11/16-16	34.5	12	6	22
RK-1721-RON	R3/8-19	13/16-16	35.5	12	9	22
RK-2121-RON	R1/2-14	13/16-16	37.5	13	9	27
RK-2125-RON	R1/2-14	1"-14	41.5	13	12	27
RK-2630-RON	R3/4-14	1"3/16-12	45	15	15	32
RK-2637-RON	R3/4-14	1"7/16-12	48	15	15	41
RK-3337-RON	R1"-11	1"7/16-12	51	18	19	41



HYDRAULIC FITTINGS

BSP -ORFS REVERSE NIPPLES

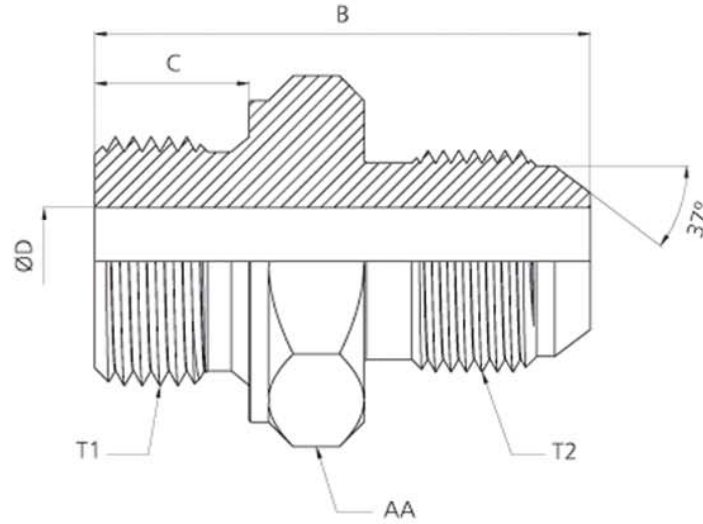


BSP-ORFS TERS NİPELLER / BPS-ORFS REVERSE NIPPLES							
MALZEME KODU MATERIAL CODE	DIŞ ÖLÇÜSÜ THREAD SIZE T1	SOMUN ÖLÇÜSÜ NUT SIZE T2	B	C	ØD	A1	A2
RK-1314-ROTN	R1/4-19	9/16-18	34.5	11	5	19	19
RK-1317-ROTN	R1/4-19	11/16-16	36.5	11	6	19	22
RK-1717-ROTN	R3/8-19	11/16-16	38	12	6	22	22
RK-1721-ROTN	R3/8-19	13/16-16	42	12	9	22	24
RK-2121-ROTN	R1/2-14	13/16-16	44	13	9	27	24
RK-2125-ROTN	R1/2-14	1"-14	47	13	12	27	30
RK-2630-ROTN	R3/4-14	1"3/16-12	52	15	15	32	36
RK-2637-ROTN	R3/4-14	1"7/16-12	54	15	15	36	41
RK-3337-ROTN	R1"-11	1"7/16-12	58	18	19	41	41



HYDRAULIC FITTINGS

BSP - UNF NIPPLES

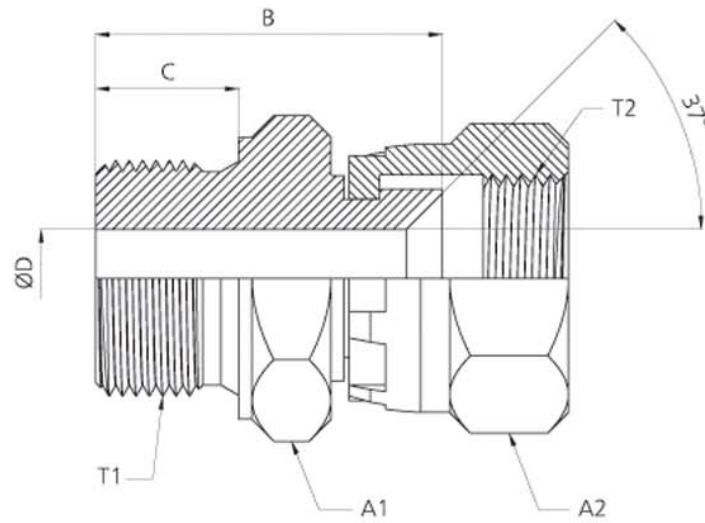


BSP-UNF NİPELLER / BSP-UNF NIPPLES						
MALZEME KODU MATERIAL CODE	DIŞ ÖLÇÜSÜ THREAD SIZE T1	DIŞ ÖLÇÜSÜ THREAD SIZE T2	B	C	ØD	AA
RK-1011-RWN	R1/8-28	7/16-20	28	8	4.5	14
RK-1311-RWN	R1/4-19	7/16-20	33	11	4.5	19
RK-1313-RWN	R1/4-19	1/2-20	33	11	5.5	19
RK-1314-RWN	R1/4-19	9/16-18	33	11	6.5	19
RK-1316-RWN	R1/4-19	5/8-18	35	11	6.5	19
RK-1319-RWN	R1/4-19	3/4-16	36	11	6.5	19
RK-1713-RWN	R3/8-19	1/2-20	34.5	12	5.5	22
RK-1714-RWN	R3/8-19	9/16-18	34.5	12	6.5	22
RK-1716-RWN	R3/8-19	5/8-18	36.5	12	7.5	22
RK-1719-RWN	R3/8-19	3/4-16	37.5	12	9	22
RK-2113-RWN	R1/2-14	1/2-20	36.5	13	5.5	27
RK-2114-RWN	R1/2-14	9/16-18	36.5	13	6.5	27
RK-2116-RWN	R1/2-14	5/8-18	38.5	13	7.5	27
RK-2119-RWN	R1/2-14	3/4-16	39.5	13	9	27
RK-2122-RWN	R1/2-14	7/8-14	41.5	13	12	27
RK-2127-RWN	R1/2-14	1"1/16-12	44.5	13	12	27
RK-2619-RWN	R3/4-14	3/4-16	42.5	15	9	32
RK-2622-RWN	R3/4-14	7/8-14	44.5	15	12	32
RK-2627-RWN	R3/4-14	1"1/16-12	47.5	15	15	32
RK-2633-RWN	R3/4-14	1"5/16-12	50.5	15	15	36
RK-3327-RWN	R1"-11	1"1/16-12	52.5	18	15	41
RK-3333-RWN	R1"-11	1"5/16-12	54.5	18	20	41
RK-4241-RWN	R1"1/4-11	1"5/8-12	59	20	26	50



HYDRAULIC FITTINGS

BSP - UNF REVERSE NIPPLES

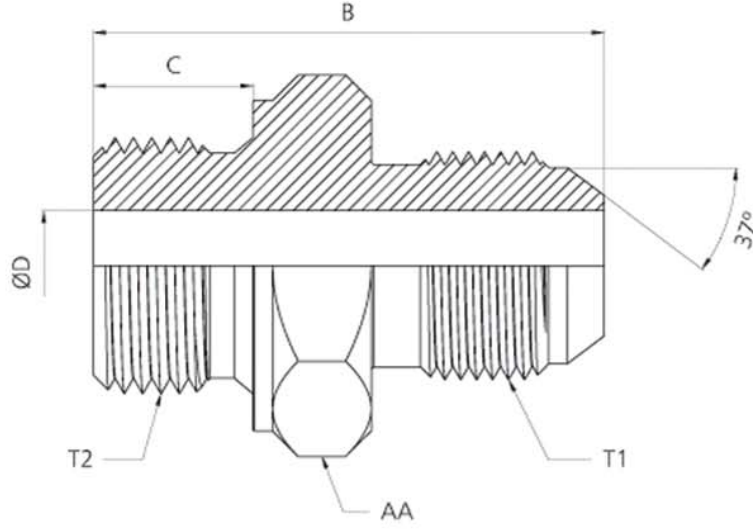


BSP-UNF TERS NİPELLER / BSP-UNF REVERSE NIPPLES							
MALZEME KODU MATERIAL CODE	DIŞ ÖLÇÜSÜ THREAD SIZE T1	SOMUN ÖLÇÜSÜ NUT SIZE T2	B	C	ØD	A1	A2
RK-1011-RWTN	R1/8 -28	7/16-20	21.5	8	4	14	16
RK-1311-RWTN	R1/4-19	7/16-20	27	11	4	19	16
RK-1313-RWTN	R1/4-19	1/2-20	28.5	11	5.5	19	17
RK-1314-RWTN	R1/4-19	9/16-18	29	11	6	19	19
RK-1714-RWTN	R3/8-19	9/16-18	30.5	12	6	22	19
RK-1716-RWTN	R3/8-19	5/8-18	30.5	12	7	22	21
RK-1719-RWTN	R3/8-19	3/4-16	32	12	9	22	24
RK-2114-RWTN	R1/2-14	9/16-18	34	14	6	27	19
RK-2116-RWTN	R1/2-14	5/8-18	34	14	7	27	21
RK-2119-RWTN	R1/2-14	3/4-16	35.5	14	9	27	24
RK-2122-RWTN	R1/2-14	7/8-14	36.5	14	12	27	27
RK-2622-RWTN	R3/4-14	7/8-14	39.5	16	12	32	27
RK-2627-RWTN	R3/4-14	1"1/16-12	42.5	16	15	32	32
RK-3327-RWTN	R1"-11	1"1/16-12	46.5	18.5	15	41	32



HYDRAULIC FITTINGS

METRIC BLOCK-UNF NIPPLES

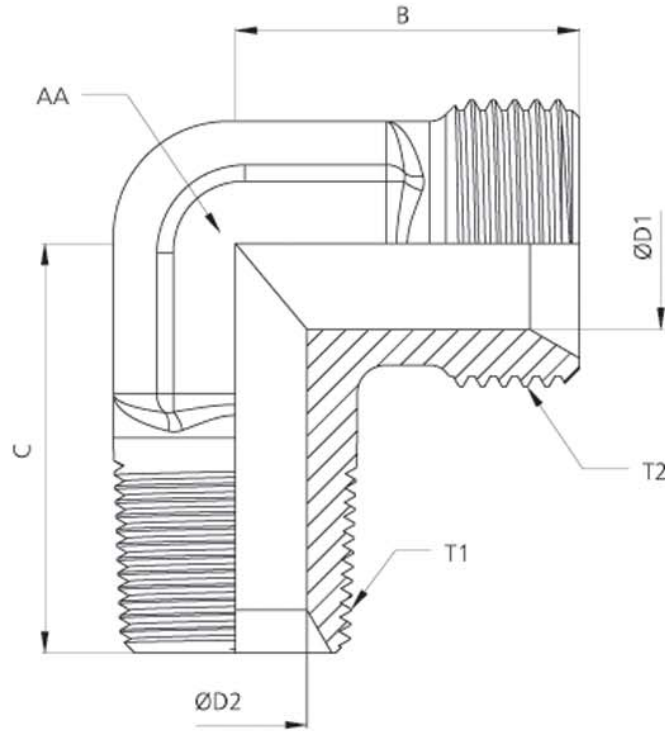


METRİK BLOK-UNF NİPELLER / METRIC BLOCK-UNF NIPPLES						
MALZEME KODU MATERIAL CODE	DİŞ ÖLÇÜSÜ THREAD SIZE T1	DİŞ ÖLÇÜSÜ THREAD SIZE T2	B	C	ØD	AA
RK-1616-MWN	M16x1,5	5/8-18	36.5	12	7.5	22
RK-1619-MWN	M16x1,5	3/4-16	37.5	12	9	22
RK-1819-MWN	M18x1,5	3/4-16	37.5	12	9	22
RK-2216-MWN	M22x1,5	5/8-18	38.5	13	7.5	27



HYDRAULIC FITTINGS

NPT-BSP ELBOWS



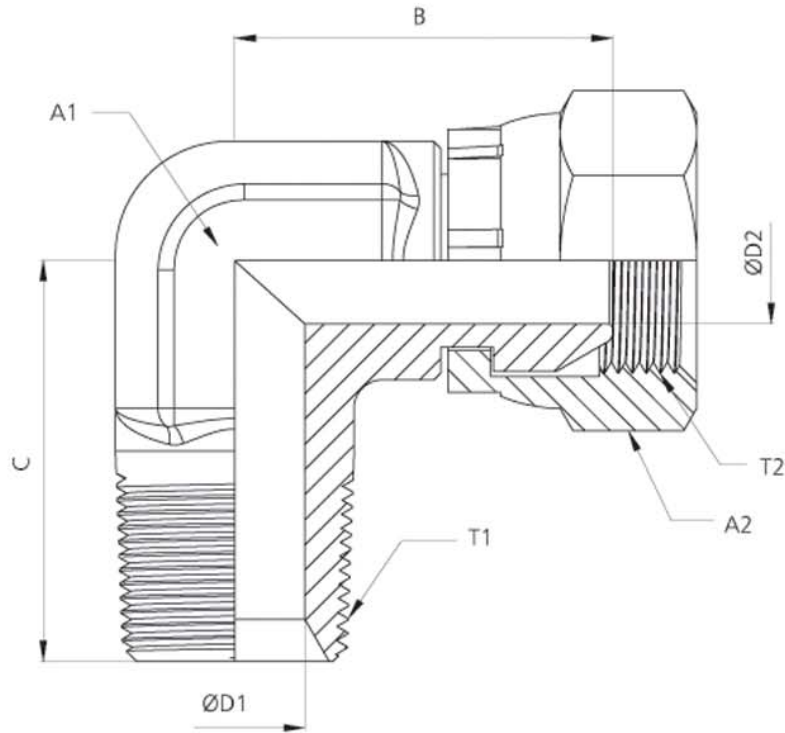
NPT-BSP DİRSEKLER / NPT-BSP ELBOWS

MALZEME KODU MATERIAL CODE	DIŞ ÖLÇÜSÜ THREAD SIZE T1	DIŞ ÖLÇÜSÜ THREAD SIZE T2	B	C	ØD1	ØD2	AA
RK-1010-NRD	1/8-28 NPT	R1/8-28	20	20	4	4	12
RK-1313-NRD	1/4-19 NPT	R1/4-19	22.5	26.5	7	7	14
RK-1717-NRD	3/8-19 NPT	R3/8-19	24.5	28.5	9	9	17
RK-2121-NRD	1/2-14 NPT	R1/2-14	28	32.5	12	12	19
RK-2626-NRD	3/4-14 NPT	R3/4-14	37.5	42.5	15	15	27
RK-3333-NRD	1"-11 NPT	R1"-11	42.5	45.5	20	20	36
RK-4242-NRD	1"1/4-11 NPT	R1"1/4-11	49	49.5	26	26	41



HYDRAULIC FITTINGS

NPT - BSP REVERSE ELBOWS



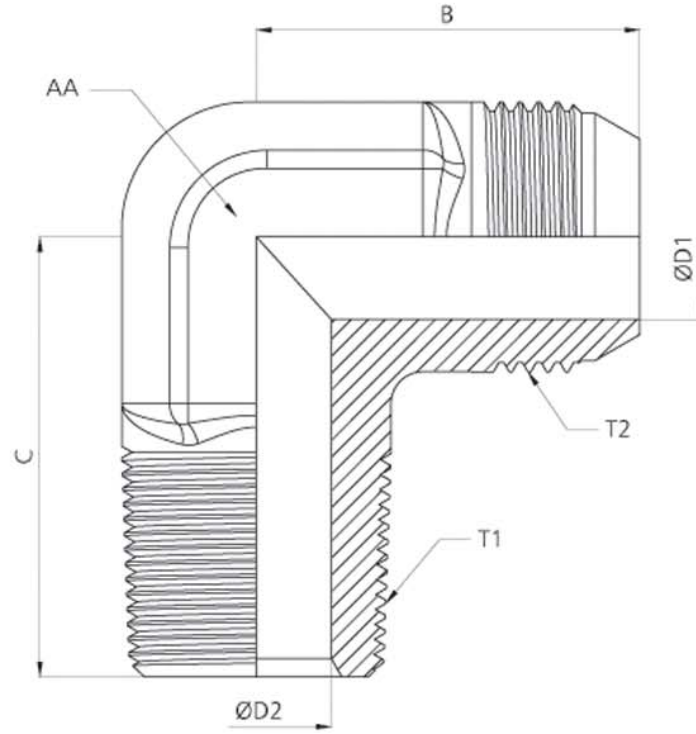
NPT-BSP TERS DİRSEKLER / NPT-BSP REVERSE ELBOWS

MALZEME KODU MATERIAL CODE	DIŐ ÖLÇÜŐ THREAD SIZE T1	SOMUN ÖLÇÜŐ NUT SIZE T2	B	C	ØD1	ØD2	A1	A2
RK-1010-RTD	1/8-28 NPT	R1/8-28	20	20	4	4	12	14
RK-1313-RTD	1/4-19 NPT	R1/4-19	23	26.5	7	5.5	14	17
RK-1717-RTD	3/8-19 NPT	R3/8-19	25	28.5	9	8	17	22
RK-2121-RTD	1/2-14 NPT	R1/2-14	28	32.5	12	10	19	27
RK-2626-RTD	3/4-14 NPT	R3/4-14	37.5	42.5	15	15	27	32
RK-3333-RTD	1"-11 NPT	R1"-11	43	45.5	20	20	36	41
RK-4242-RTD	1 1/4"-11 NPT	R1 1/4"-11	49.5	49.5	26	26	41	50



HYDRAULIC FITTINGS

NPT-UNF ELBOWS

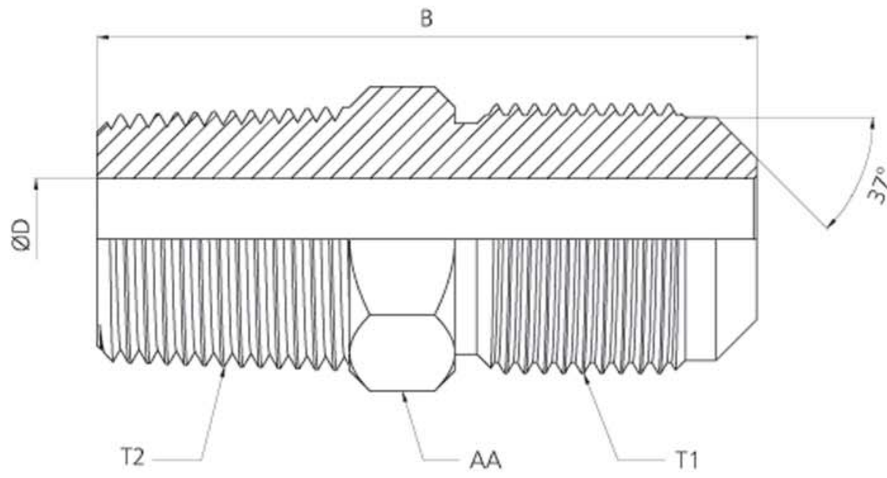


NPT-UNF DİRSEKLER / NPT-UNF ELBOWS							
MALZEME KODU MATERIAL CODE	DIŞ ÖLÇÜSÜ THREAD SIZE T1	DIŞ ÖLÇÜSÜ THREAD SIZE T2	B	C	ØD1	ØD2	AA
RK-1011-NWD	1/8-28 NPT	7/16-20 UNF	20	20	4.5	4	12
RK-1311-NWD	1/4-19 NPT	7/16-20 UNF	23.5	28	4.5	7	14
RK-1312-NWD	1/4-19 NPT	1/2-20 UNF	22.5	28	5.5	7	14
RK-1314-NWD	1/4-19 NPT	9/16-18 UNF	25	29	6.5	7	17
RK-1316-NWD	1/4-19 NPT	5/8-18 UNF	25	29	7.5	7	17
RK-1319-NWD	1/4-19 NPT	3/4-16 UNF	29.5	28.5	9	7	17
RK-1712-NWD	3/8-19 NPT	1/2-20 UNF	25	28	5.5	9	17
RK-1714-NWD	3/8-19 NPT	9/16-18 UNF	25	28	6.5	9	17
RK-1716-NWD	3/8-19 NPT	5/8-18 UNF	25	28	7.5	9	17
RK-1719-NWD	3/8-19 NPT	3/4-16 UNF	29	29	9	9	17
RK-2114-NWD	1/2-14 NPT	9/16-18 UNF	28.5	32.5	6.5	12	19
RK-2116-NWD	1/2-14 NPT	5/8-18 UNF	28.5	32.5	7.5	12	19
RK-2119-NWD	1/2-14 NPT	3/4-16 UNF	28.5	32.5	9	12	19
RK-2122-NWD	1/2-14 NPT	7/8-14 UNF	33.5	34.5	11	12	24
RK-2127-NWD	1/2-14 NPT	1"1/16-12 UNF	37.5	40	15	12	27
RK-2619-NWD	3/4-14 NPT	3/4-16 UNF	38	42	9	15	27
RK-2622-NWD	3/4-14 NPT	7/8-14 UNF	38	42	11	15	27
RK-2627-NWD	3/4-14 NPT	1"1/16-12 UNF	37.5	42	15	15	27



HYDRAULIC FITTINGS

NPT-UNF NIPPLES

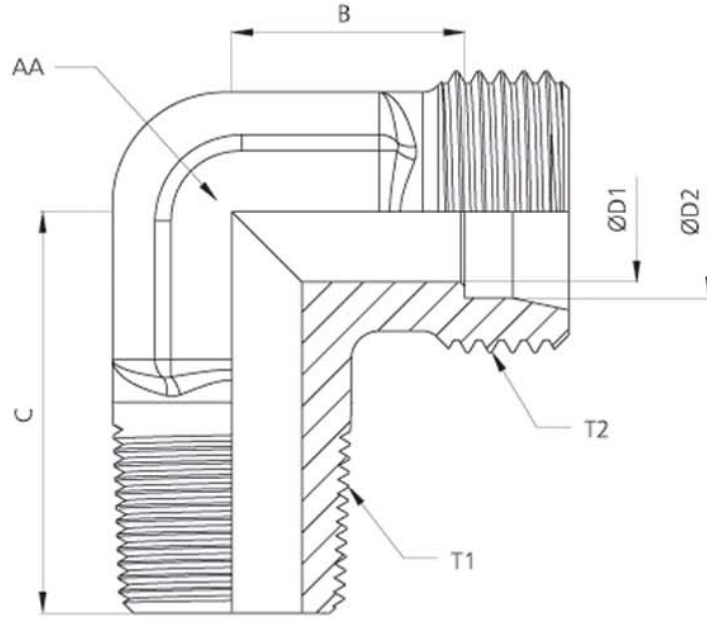


NPT-UNF NİPELLER / NPT-UNF NIPPLES					
MALZEME KODU MATERIAL CODE	DİŞ ÖLÇÜSÜ THREAD SIZE T2	DİŞ ÖLÇÜSÜ THREAD SIZE T1	B	ØD	AA
RK-1011-NWN	1/8-28	7/16-20	29	4.5	12
RK-1311-NWN	1/4-19	7/16-20	34	4.5	14
RK-1313-NWN	1/4-19	1/2-20	34	5.5	14
RK-1314-NWN	1/4-19	9/16-18	34	6.5	17
RK-1316-NWN	1/4-19	5/8-18	36	7	17
RK-1319-NWN	1/4-19	3/4-16	37	7	19
RK-1714-NWN	3/8-19	9/16-18	36	6.5	19
RK-1716-NWN	3/8-19	5/8-18	38	7.5	19
RK-1719-NWN	3/8-19	3/4-16	39	9	19
RK-2114-NWN	1/2-14	9/16-18	41	6.5	22
RK-2116-NWN	1/2-14	5/8-18	43	7.5	22
RK-2119-NWN	1/2-14	3/4-16	44	9	22
RK-2122-NWN	1/2-14	7/8-14	46	11	24



HYDRAULIC FITTINGS

NPT METRIC ELBOWS

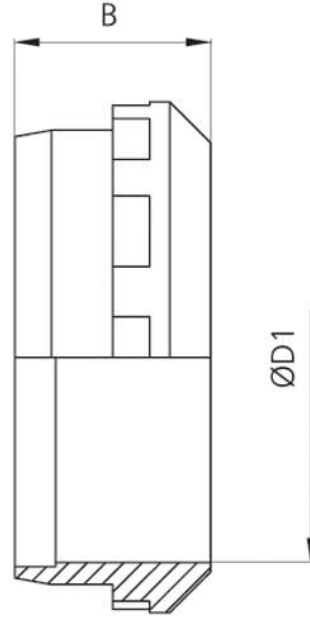


NPT-METRİK DİRSEKLER / NPT METRIC ELBOWS							
MALZEME KODU MATERIAL CODE	DIŞ ÖLÇÜSÜ THREAD SIZE T1	DIŞ ÖLÇÜSÜ THREAD SIZE T2	ØD2	ØD1	B	C	AA
L TİPİ / L TYPE							
RK-1006-NMDL	1/8-28 NPT	M12x1,5	6	4	12	20	12
RK-1306-NMDL	1/4-19 NPT	M12x1,5	6	4	14	28	12
RK-1308-NMDL	1/4-19 NPT	M14x1,5	8	6	14	28	12
RK-1310-NMDL	1/4-19 NPT	M16x1,5	10	8	15	28	14
RK-1312-NMDL	1/4-19 NPT	M18x1,5	12	10	17	29	17
RK-1710-NMDL	3/8-19 NPT	M16x1,5	10	8	17	28.5	17
RK-1712-NMDL	3/8-19 NPT	M18x1,5	12	10	17	28.5	17
RK-2110-NMDL	1/2-14 NPT	M16x1,5	10	8	20	32	19
RK-2112-NMDL	1/2-14 NPT	M18x1,5	12	10	21	32	19
RK-2115-NMDL	1/2-14 NPT	M22x1,5	15	12	21	32	19
RK-2118-NMDL	1/2-14 NPT	M26x1,5	18	15	23.5	34	24
RK-2622-NMDL	3/4-14 NPT	M30x2	22	19	27.5	42	27
RK-3328-NMDL	1"-11 NPT	M36x2	28	24	30.5	46	36
RK-4235-NMDL	1"1/4-11 NPT	M45x2	35	30	34.5	49	41
RK-4842-NMDL	1"1/2-11 NPT	M52x2	42	36	40	60	50
S TİPİ / S TYPE							
RK-1712-NMDS	3/8-19 NPT	M20x1,5	12	8	21.5	28	17
RK-2112-NMDS	1/2-14 NPT	M20x1,5	12	8	20.5	32	19
RK-2116-NMDS	1/2-14 NPT	M24x1,5	16	12	24.5	35	24
RK-2620-NMDS	3/4-14 NPT	M30x2	20	16	26.5	42	27
RK-3325-NMDS	1"-11 NPT	M36x2	25	20	30	46	36
RK-4230-NMDS	1"1/4-11 NPT	M42x2	30	25	35.5	49.5	41



HYDRAULIC FITTINGS

STEEL RINGS WALTERSHEID

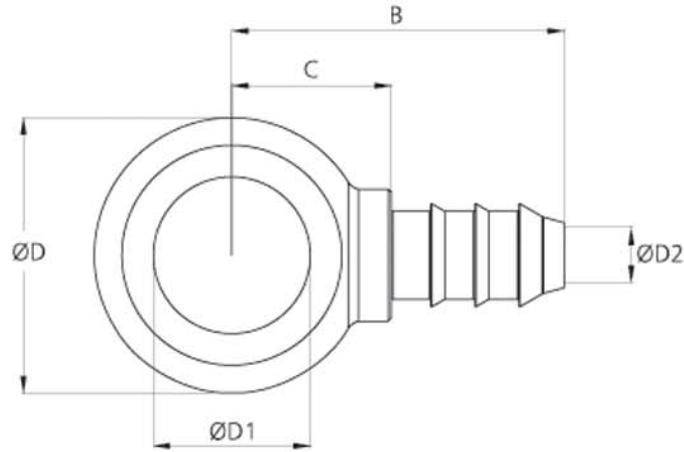


ÇELİK YÜKSÜKLER / STEEL RINGS WALTERSHEID		
MALZEME KODU MATERIAL CODE	BORU ÇAPI PIPE DIAMETER ØD1	B
L TİPİ / L TYPE		
RK-0106-ÇY	6	9.8
RK-0108-ÇY	8	9.5
RK-0110-ÇY	10	10
RK-0112-ÇY	12	9.5
RK-0115-ÇY	15	9.8
RK-0118-ÇY	18	9.8
RK-0122-ÇY	22	10.5
RK-0128-ÇY	28	11
RK-0135-ÇY	35	13
RK-0142-ÇY	42	13
S TİPİ / S TYPE		
RK-0212-ÇY	12	9.5
RK-0216-ÇY	16	10.3
RK-0220-ÇY	20	12
RK-0225-ÇY	25	12
RK-0230-ÇY	30	13



HYDRAULIC FITTINGS

POLYAMIDE RING FITTINGS

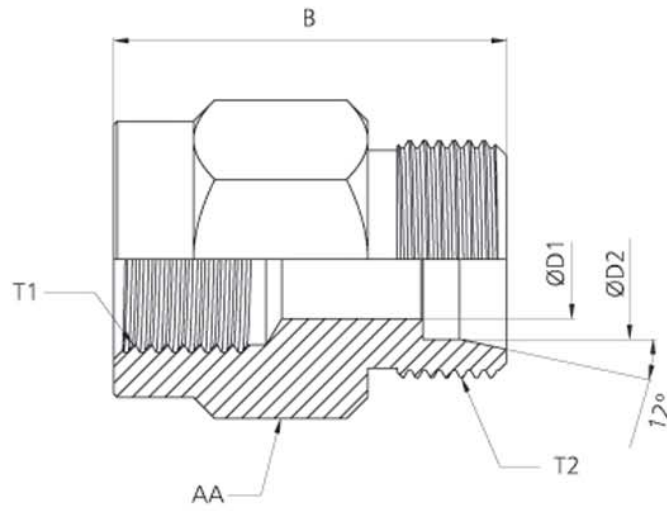


POLYEMİD HALKA REKORLAR / PLOYAMIDE RING FITTINGS						
MALZEME KODU MATERIAL CODE	HORTUM ÖLÇÜSÜ HOSE SIZE	B	C	ØD	ØD2	ØD1
RK-0408-HP	4x6	24	9	14	3	8
RK-0410-HP	4x6	26	9	18	3	10
RK-0608-HP	6x8	25	9	14	4	8
RK-0610-HP	6x8	29	10	18	4	10
RK-0612-HP	6x8	29	10.5	20	4	12
RK-0614-HP	6x8	31	12	24	4	14
RK-0812-HP	8x10	32	9.5	20	6	12
RK-0814-HP	8x10	34	11	24	6	14



HYDRAULIC FITTINGS

PRESSURE GAUGE MALE FITTINGS

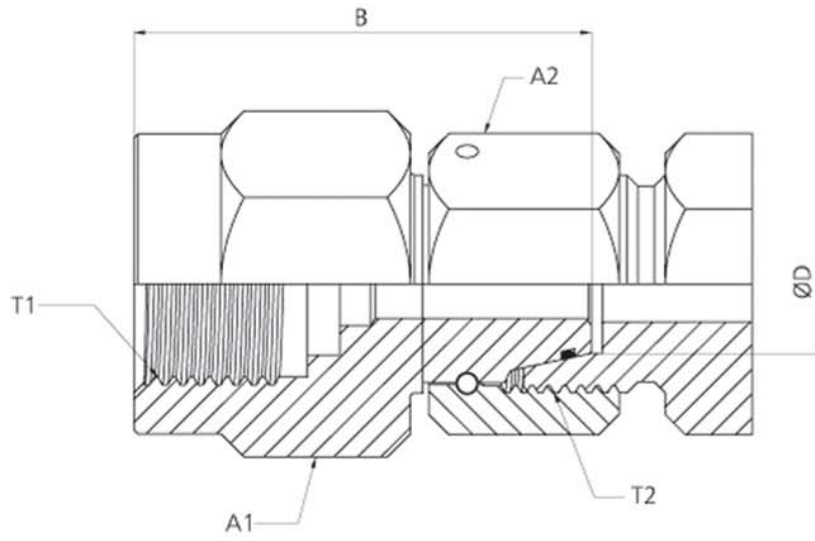


MANOMETRE ERKEK RAKORLAR / PRESSURE GAUGE MALE FITTINGS						
MALZEME KODU MATERIAL CODE	MANOMETRE ÖLÇÜSÜ PRESSURE GAUGE SIZE T2	DIŞ ÖLÇÜSÜ THREAD SIZE T1	B	ØD1	ØD2	AA
RK-1306-MER	R1/4-19	M12x1,5	28.5	4	6	19
RK-1308-MER	R1/4-19	M14x1,5	28.5	5	8	19
RK-1310-MER	R1/4-19	M16x1,5	29.5	8	10	19
RK-1312-MER	R1/4-19	M18x1,5	29.5	10	12	19
RK-2106-MER	R1/2-14	M12x1,5	36	4	6	27
RK-2108-MER	R1/2-14	M14x1,5	36	6	8	27
RK-2110-MER	R1/2-14	M16x1,5	37	8	10	27



HYDRAULIC FITTINGS

PRESSURE GAUGE REVERSE FITTINGS



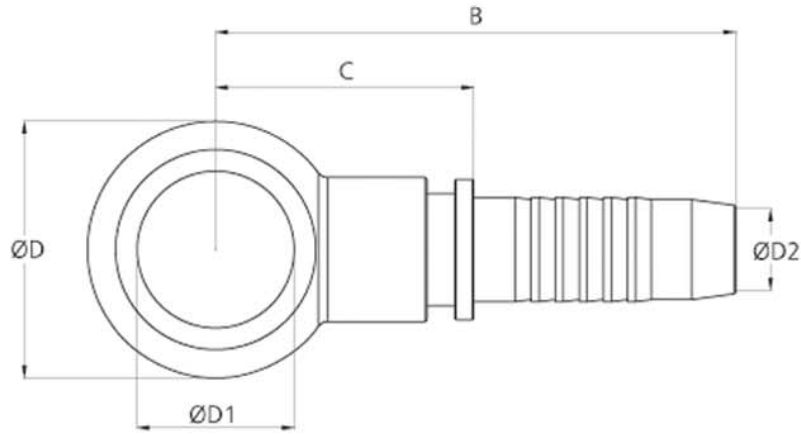
MANOMETRE TERS REKORLAR / PRESSURE GAUGE REVERSE FITTINGS

MALZEME KODU MATERIAL CODE	MANOMETRE ÖLÇÜSÜ PRESSURE GAUGE SIZE T1	DIŞ ÖLÇÜSÜ THREAD SIZE T2	B	ØD	A1	A2
RK-1306-MTR	R1/4-19	M12x1,5	32,5	6	19	17
RK-1308-MTR	R1/4-19	M14x1,5	32,5	8	19	17
RK-1310-MTR	R1/4-19	M16x1,5	33,5	10	19	19
RK-1312-MTR	R1/4-19	M18x1,5	34,5	12	19	22
RK-2106-MTR	R1/2-14	M12x1,5	41,5	6	27	17
RK-2106-MTR	R1/2-14	M14x1,5	41,5	8	27	17
RK-2110-MTR	R1/2-14	M16x1,5	42,5	10	27	19



HYDRAULIC FITTINGS

RING SOCKET



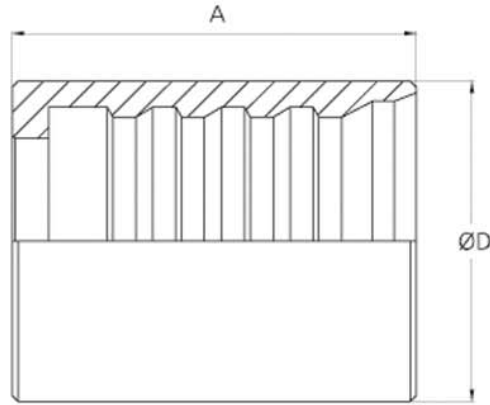
HİDROLİK PRESLİ HALKA REKORLAR / RING SOCKETS WITH HYDRAULIC PRESS

MALZEME KODU MATERIAL CODE	HORTUM ÖLÇÜSÜ HOSE SIZE		B	C	ØD	ØD2	ØD1
	mm	inch					
RK-0510-HT	05	3/16	41.5	20.5	18	3.5	10
RK-0610-HT	06	1/4	46	21	18	4	10
RK-0612-HT	06	1/4	47.5	22.5	20	4	12
RK-0613-HT	06	1/4	48.5	23.5	24	4	13
RK-0614-HT	06	1/4	49	24	25	4	14
RK-0812-HT	08	5/16	49	22	20	5.5	12
RK-0814-HT	08	5/16	51.5	24.5	25	5.5	14
RK-1014-HT	10	3/8	58	28	25	7	14
RK-1016-HT	10	3/8	60	30	28	7	16
RK-1017-HT	10	3/8	60.5	30.5	29	7	17
RK-1018-HT	10	3/8	62	32	32	7	18
RK-1316-HT	12	1/2	64	31	30	9	16
RK-1318-HT	12	1/2	65.5	32.5	32	9	18
RK-1320-HT	12	1/2	67	34	35	9	20
RK-1321-HT	12	1/2	67	34	35	9	21



HYDRAULIC FITTINGS

R1-R2 STEEL SOCKET

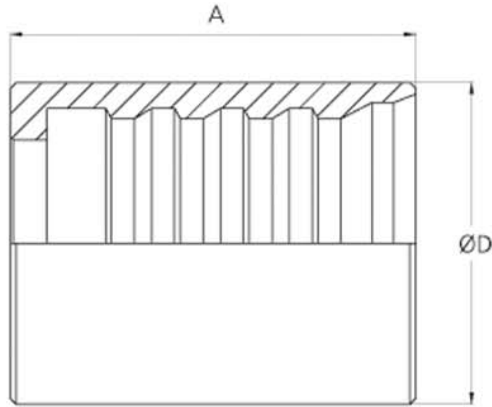


R1-R2 ÇELİK SOKETLER / R1-R2 STEEL SOCKET					
MALZEME KODU MATERIAL CODE	HORTUM ÖLÇÜSÜ HOSE SIZE		İÇ ÇAP ÖLÇÜSÜ INTERNAL DIAMETER	A	ØD
	mm	inch			
RK-0517-ÇS	05	3/16	13	25	17
RK-0620-ÇS	06	1/4	14,5	28	20
RK-0822-ÇS	08	5/16	15,5	30	22
RK-1025-ÇS	10	3/8	18,4	33	25
RK-1328-ÇS	12	1/2	21,7	35	28
RK-1632-ÇS	16	5/8	24,7	42	32
RK-1936-ÇS	19	3/4	29	49	36
RK-2546-ÇS	25	1"	36,5	55	45
RK-3256-ÇS	32	1 1/4	46	62	55
RK-3862-ÇS	38	1 1/2	53	71,5	62
RK-5175-ÇS	50	2"	64	70	75
RK-6487-ÇS	64	2 1/2	79	70	87,5



HYDRAULIC FITTINGS

R9 STEEL SOCKET

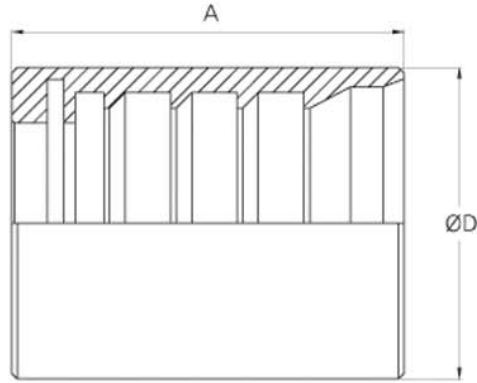


MALZEME KODU MATERIAL CODE	HORTUM ÖLÇÜSÜ HOSE SIZE		İÇ ÇAP ÖLÇÜSÜ INTERNAL DIAMETER	A	ØD
	mm	inch			
RK-1026-ÇS	10	3/8 R9	18.5	36	25
RK-1329-ÇS	12	1/2 R9	21	40	28
RK-1633-ÇS	16	5/8 R9	25.5	45	32
RK-1938-ÇS	19	3/4 R9	29.5	45	38
RK-2545-ÇS	25	1" R9	36.5	64	45
RK-3255-ÇS	32	1"1/4 R9	44.5	70	55



HYDRAULIC FITTINGS

FLEXOPACK SOCKETS



FLEXOPAK SOKETLER / FLEXOPACK SOCKETS					
MALZEME KODU MATERIAL CODE	HORTUM ÖLÇÜSÜ HOSE SIZE		İÇ ÇAP ÖLÇÜSÜ INTERNAL DIAMETER	A	ØD
	mm	inch			
RK-0621-SÇS	06	1/4	15.7	30	21
RK-0824-SÇS	08	5/16	17.3	30	24
RK-1026-SÇS	10	3/8	19.7	31.5	26
RK-1329-SÇS	12	1/2	23	33	30
RK-1634-SÇS	16	5/8	26	36	34
RK-1938-SÇS	19	3/4	30.2	40	38