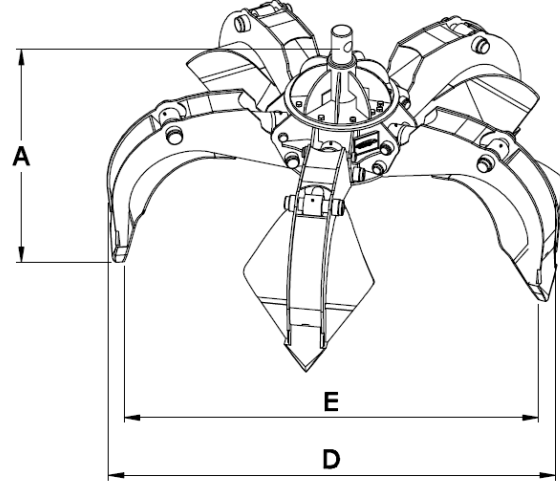
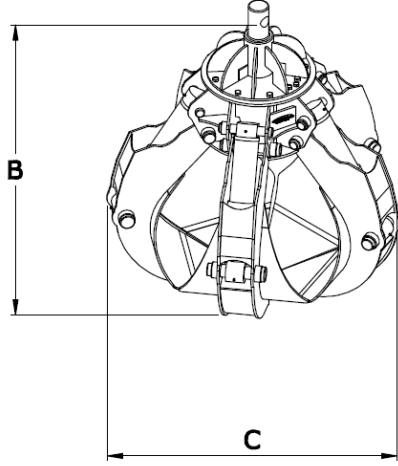




www.cnc-world.com

**CNC**  
MOBILE AND INDUSTRIAL HYDRAULIC



MODEL	Ağırlık Weight KG	Hacim Capacity LT	Working Pressure Max Bar	A	B	C	D	E
<b>MH05</b>	<b>750</b>	<b>400</b>	<b>320</b>	<b>1350</b>	<b>1450</b>	<b>1300</b>	<b>2000</b>	<b>1800</b>

#### Teknik Özellikler / Technical Data

Kapasite / Capacity 400 Lt

Ağırlık / Gross Weight 750 Kg

Çalışma / Working Principle Hydraulic

Basınç / Working Pressure 320 Bar

K. Basınç / Closing 320 Bar

Rotatör / Rotation 360°

Tırnak Adedi / Tines 5

Yapraklar / Wearing Plates Hardox 450 (Optional ST-52)