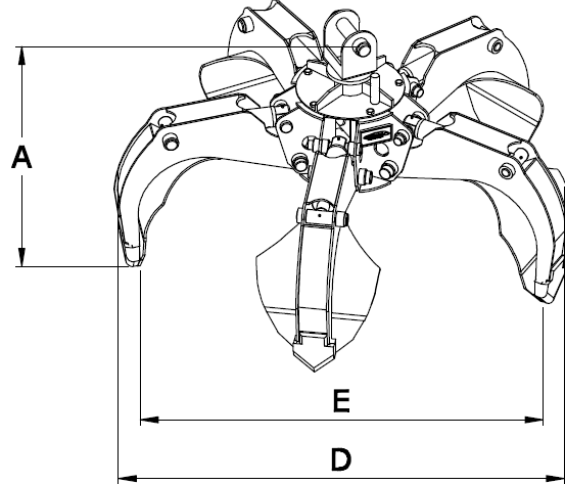
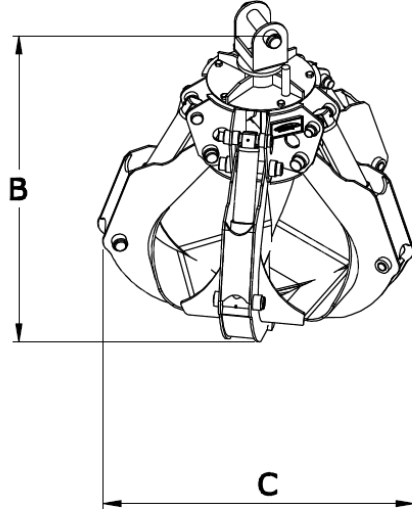




www.cnc-world.com

CNC

MOBILE AND INDUSTRIAL HYDRAULIC



MODEL	Ağırlık Weight KG	Hacim Capacity LT	Working Pressure Max Bar	A	B	C	D	E
MHM5	450	300	220	930	1260	1060	1800	1650

Teknik Özellikler / Technical Data

Kapasite / Capacity 300 Lt

Ağırlık / Gross Weight 450 Kg

Çalışma / Working Principle Hydraulic

Basınç / Working Pressure 220 Bar

K. Basınç / Closing 220 Bar

Rotatör / Rotation 270/360°

Tırnak Adedi / Tines 5

Yapraklar / Wearing Plates Hardox 450 (Optional ST-52)