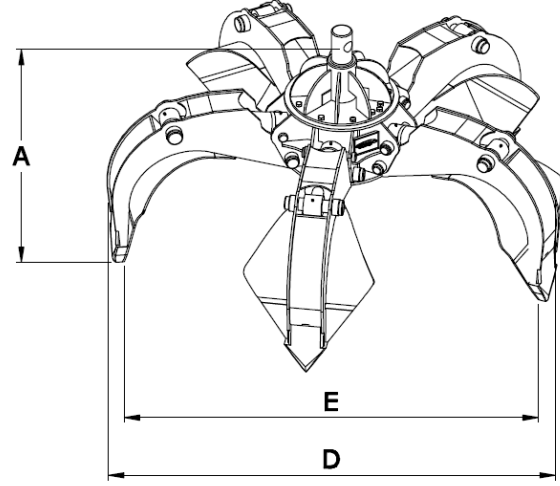
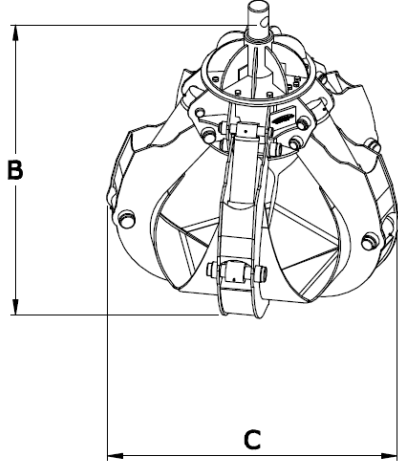




www.cnc-world.com

CNC
MOBILE AND INDUSTRIAL HYDRAULIC



MODEL	Ağırlık Weight KG	Hacim Capacity LT	Working Pressure Max Bar	A	B	C	D	E
MHB5	900	500	320	1450	1550	1400	2100	1850

Teknik Özellikler / Technical Data

Kapasite / Capacity 500 Lt

Ağırlık / Gross Weight 900 Kg

Çalışma / Working Principle Hydraulic

Basınç / Working Pressure 320 Bar

K. Basınç / Closing 320 Bar

Rotatör / Rotation 360°

Tırnak Adedi / Tines 5

Yapraklar / Wearing Plates Hardox 450 (Optional ST-52)