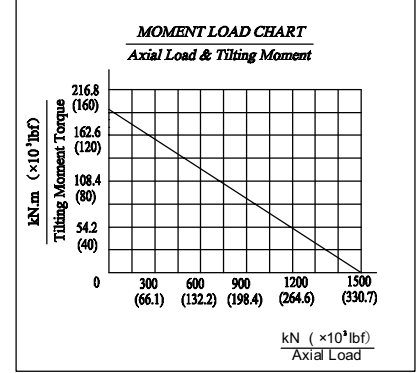
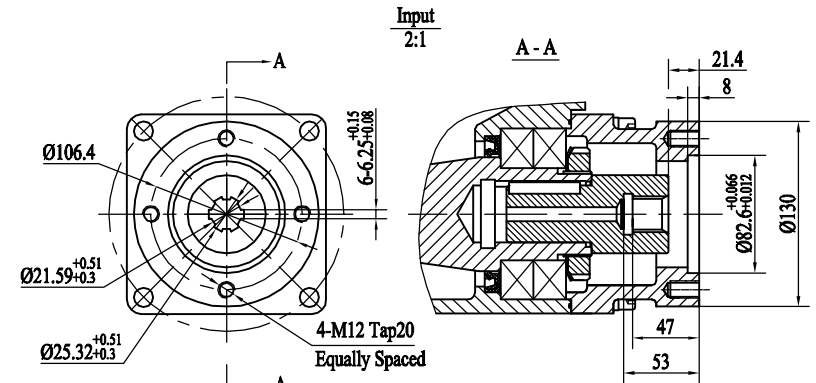
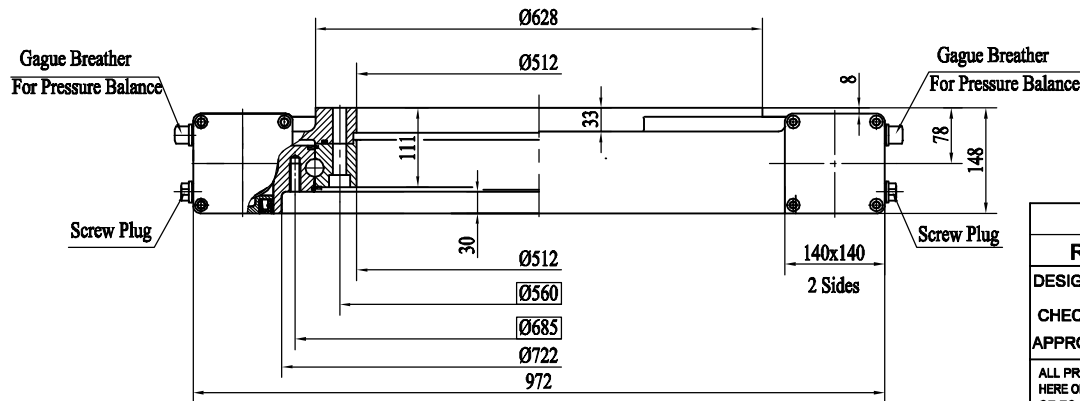


| Worm Drive Performance Data | | |
|------------------------------|-----------|----------------------------|
| Rated Output Speed | < 2.5 rpm | |
| Rated Output Torque | 50 kN.m | 36944 lbf.ft |
| Intermittent Output Torque | 55 kN.m | 40590 lbf.ft |
| Tilting Moment Torque (Max.) | 180 kN.m | 132×10 ³ lbf.ft |
| Axial Load (Max.) | 1500 kN | 330×10 ³ lbf |
| Ratio of Worm Gear | 94:1 | |
| Tracking Precision | ≤ 0.15° | |
| Ratio of Worm Gear | 40% | |



- Note:**
1. The two grease plugs of outer ring are in the position as shown.
 2. The worm dirve has been injeted enough grease.



| REV | DATE | REVISER | DESCRIPTION | | |
|--------------------------------------------------------------------------------------------------------------------------------------------------------------------------------------------|------|------------|-------------|-------|-----------------------------------------------|
| DESIGNED BY | | 27-02-2013 | | | |
| CHECKED BY | | 27-02-2013 | | | |
| APPROVED BY | | 27-02-2013 | | | |
| ALL PROPRIETARY RIGHTS IN THE SUBJECT MATTER HERE OF ARE RESERVED, AND NO PERMISSION IS GRANTED OR TO DISCLOSE REPRODUCE THIS PRINT IN WHOLE OR IN PART, ANY OF THE INFORMATION TO OTHERS. | | | WEIGHT | SCALE | SLEW DRIVE CNC-HSE25-94-B-2R |
| SYMBOLS ISO | | | 275kg | 1:7 | |
| | | | SIZE A3 | | |
| | | | SHEET 1 / 1 | | REV B |