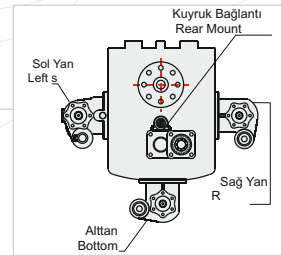
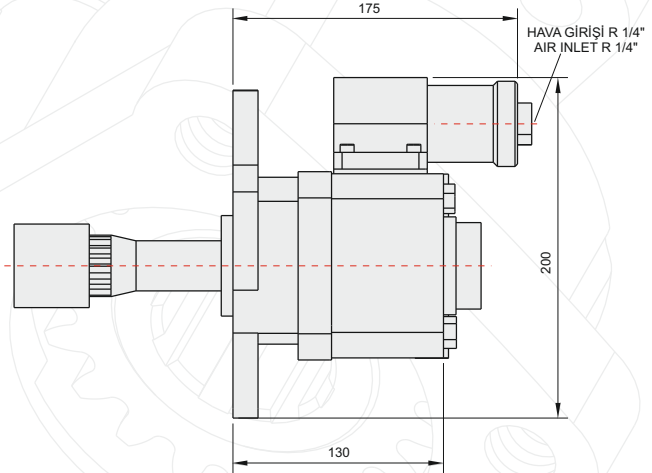
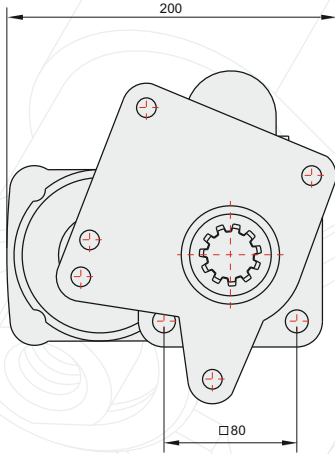
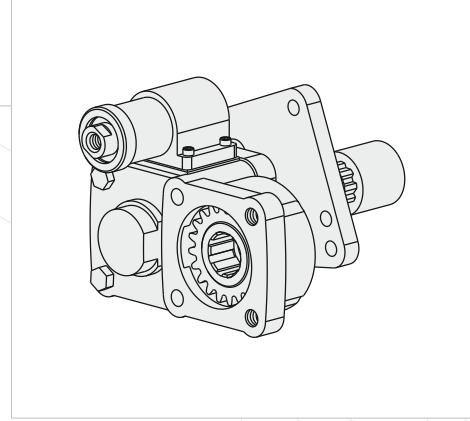


50511321P0



GENEL BİLGİLER/GENERAL DATA

P.T.O. KODU / P.T.O. CODE	50511321P0	
Tork / Torque	24 Kgm	235,4 Nm
Güç(1000 rpm) / Power	30,6 Hp	22,9 Kw
Dev Speed	1000 rpm	1000 rpm
Oran / Rat	1/1,2	1/1,2
Ağırlık / We	16 kg	35,2 lb
Bağlantı / Mount	Kuyruk Ç	
Kumanda / Control	Havali	Pneumat
Dönüş / P.T.O. Rotat	Sol - ISO	Left - ISO

Ana Şanzıman / Gearbox

EATON-FULLER RT-RTF-RTO-RTX-RTOF-RTOX-MRT 11609A-B RT-RTX-RTO-RTLO-RTOO-RTOOF-RTOOX-11509-14613-15613-15615 A-B-H/RTO-RTX 11709,12609 RTO 11608LL/RTX 11613 B/RT-RTX 11709 H-B/RT-RTF 910-915/RTO 910-915/RT110/RTO 1110/RT 7609/ RTO-RTX 7609/RT-RTO 7613/RT-RTF 9509A-C/RT-RTF-MRT-MRTO RTO-RTOF 9509,9513,9710 A-B RT-RTO-RTX 12509,12513,12709 H,12710 B/RT-RTF-RTO-RTOF-RTLO-RTX 14608 LL,14609,14613,14710B RTO 11609-11613-11709-12709-14609 (7.84-5.78) / MRTO / RTX 9509-9513-9710-11509-14613-15613-15615-16918 A/B/H RT 7608 LL / RT 8609 / 8908 / RT 11710 B / RT 12913 A / RT 14713 / RTLO 14918 (BRAZIL) RT 7608 LL | 8609 A | 8909 LL | 11710 B | RTLO 12913 A (BRAZIL) ROCKWELL MERITOR RM / RMO / RMX 9/10/13 115,125, 135,145,155,165 A/B

Kullanılan Bazı Araçlar

RTSO 12316-14316-15316-17316 A (1000 rpm,SOL)