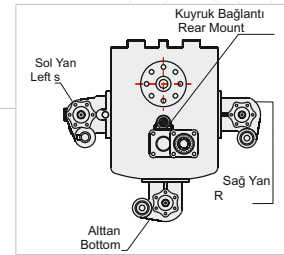
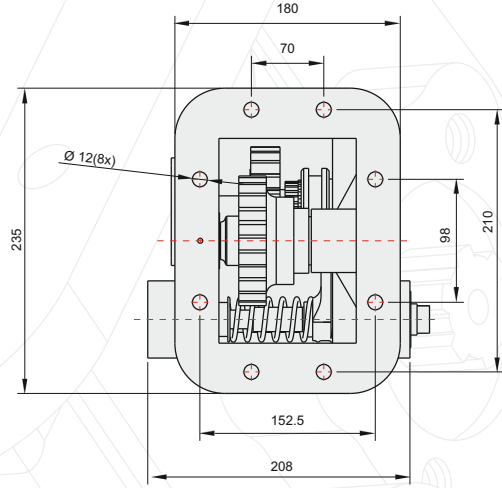
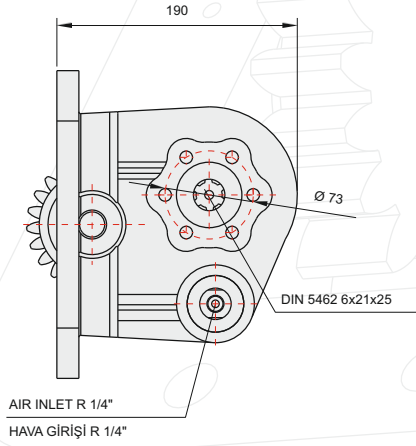
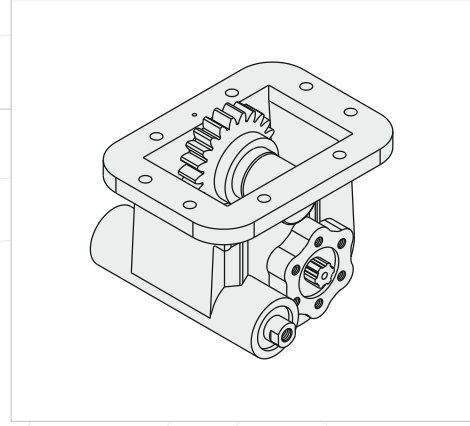
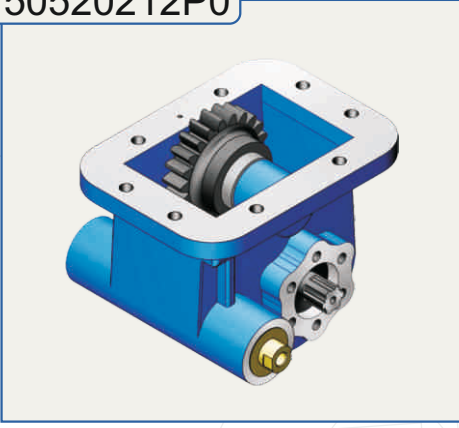


50520212P0



## GENEL BİLGİLER/GENERAL DATA

P.T.O. KODU / P.T.O. CODE	50520212P0	
Tork / Torque	40 Kgm	392,4 Nm
Güç(1000 rpm) / Power	7,6 Hp	43,1 Kw
Dev Speed	1050 rpm	1050 rpm
Oran / Rat	1/1	1/1
Ağırlık / We	14 kg	30,9 lb
Bağlantı / Mount	Alttan Ç	
Kumanda / Control	Havalı	Pneumat
Dönüş / P.T.O. Rotat	Sağ - UNI	R

Ana Şanzıman / Gearbox	Kullanılan Bazı Araçlar / Used Veh
RTO 11609-11613-11709-12709 14609	19.361-266.321-26.240-26.280 MAN 180.24-280.26-190.26-190.30-190.35-190.42
MRTO/RTX 9509-9513-9710 11509-14613-15613-15615	198.38-240.36-330.26-330.35-380E30 IVECO 270-26 FATİH BMC DAF85-2605-2800-2815
A/B/H- RTOF 16908LL	- 3030-3300-3330-3600-4400 ERF E6-E8-E12 -EC 14 LEYLAND / FODEN 4000 /MAGİRUS / 19.320-30.280 MAN / FIAT 619-697 INTERNATIONAL WOAXSTAR

POWER TAKE OFF

P.T.O.